

TEAC®

SERVICE MANUAL

EU2845ST

16:9 CTV

TABLE OF CONTENTS

1.INTRODUCTION	1
2.TUNER	1
3.IF PART (TDA9885/86)	1
4.VIDEO SWITCH TEA6415	2
5.MULTI STANDARD SOUND PROCESSOR	2
6.SOUND OUTPUT STAGE WITH TDA7269A	2
7.BERTICAL OUTPUT STAGE WITH STV9379FA	2
8.VIDEO OUTPUT AMPLIFIER TDA6108	2
9.POWER SUPPLY (SMPS)	3
10.MICROCONTROLLER SDA55XX	3
10.1.General Features	3
10.2.External Crystal and Programmable Clock Speed	3
10.3.Microcontroller Features	3
10.4.Memory	3
10.5.Display Features	3
10.6.Acquisition Features	4
10.7.Ports	4
11.CLASS AB STEREO HEADPHONE DRIVER TDA1308	4
12.SAW FILTERS	4
13.IC DESCRIPTIONS	5
13.1.LM317T	5
13.1.1.Description	5
13.1.2.Features	5
13.2.TDA1308T	5
13.2.1.General Description	5
13.2.2.Features	5
13.2.3.Pinning.....	6
13.3.MSP34X0G (MSP3410G)	6
13.3.1.Description	6
13.3.2.Features	7
13.3.3.Pin connections	7
13.4.VDP313xY	8
13.4.1.Introduction	8
13.4.2.Features	9
13.4.3.Pin Connections and short descriptions.....	9
13.5.TEA6415C	10
13.5.1.General Description	10
13.5.2.Features	10
13.5.3.Pinning.....	11
13.6.STV9379FA	11
13.6.1.Description	11
13.6.2.Features	11
13.6.3.Pinning.....	11
13.7.TDA7269A	12
13.7.1.Description	12
13.7.2.Features	12
13.8.LM7800 (LM7805/LM7808)	12
13.8.1.Description	12
13.8.2.Features	12
13.9.AT24C08	12
13.9.1.Description	12
13.9.2.Features	12
13.9.3.Pin Configurations	13

13.10.SDA5555	13
13.10.1.General definition	13
13.10.2.Features	13
13.11.MC44608	14
13.11.1.Description	14
13.11.2.General Features	15
13.11.3.Pin Connections	15
13.12.TCET1102G	16
13.12.1.Description	16
13.12.2.Applications	16
13.12.3.Features	16
13.13.TDA9885T	16
13.13.1.General Description	16
13.13.2.Features	16
13.13.3.Pinning	17
13.14.PI5V330	17
13.14.1.General Description	17
14.AK45 CHASSIS PRODUCTION SERVICE MODE ADJUSTMENTS	18
14.1.SERVICE MENU	18
14.2.ADJUST MENU	18
14.3.OPTIONS MENU	30
Option 0. Video Processor Crystal Indication	30
Option 1. (0x01) Video Processor Decoder Mode Register	30
Option 2. (0x18) Video Processor Blanking Control	30
Option 3. (0x19) Video Processor Cathode Drive Level	31
Option 4.	31
Option 5. CTI Available, Mono AVL	31
Option 6.	31
Option 7. OPTIONHOTELACTIVE, PLL_VST, PIP Zoom Mode, PIP Position	31
Option 8. IF Frequency	32
Option 9. Standard Available	32
Option 10. Scart, Combfilter, Teletext, Language	33
Option 11. PLL Tuner Control 1 Byte	33
Option 12. PLL Tuner Control 2 Low Byte	33
Option 13. PLL Tuner Control 2 Mid Byte	34
Option 14. PLL Tuner Control 2 High Byte	34
Option 15. PLL Tuner VHF LOW – VHF HIGH Crossover Low Byte	34
Option 16. PLL Tuner VHF LOW – VHF HIGH Crossover High Byte	34
Option 17. PLL Tuner VHF HIGH – UHF Crossover Low Byte	34
Option 18. PLL Tuner VHF HIGH – UHF Crossover High Byte	34
Option 19. PIP PLL Tuner Control 1 Byte	35
Option 20. PIP PLL Tuner Control 2 Low Byte	35
Option 21. PIP PLL Tuner Control 2 Mid Byte	35
Option 22. PIP PLL Tuner Control 2 High Byte	35
Option 23. PIP PLL Tuner VHF LOW – VHF HIGH Crossover Low Byte	35
Option 24. PIP PLL Tuner VHF LOW – VHF HIGH Crossover High Byte	35
Option 25. PIP PLL Tuner VHF HIGH – UHF Crossover Low Byte	36
Option 26. PIP PLL Tuner VHF HIGH – UHF Crossover High Byte	36
Option 27. Language Available 1	36
Option 28. Language Available 2	36
Option 29. Language Available 3 and Zoom Mode Available	36
Option 30. Country	37
Option 31. Prescaler MSP FM (AVL=OFF)	37
Option 32. Prescaler MSP NICAM (AVL=OFF)	37
Option 33. Prescaler MSP SCART (AVL=OFF)	38
Option 34. Prescaler MSP I2S (AVL=OFF)	38
Option 35. Not used	38
Option 36. Not used	38
Option 37. Reserved for USA	38
Option 38. TV Teletext Mode Selection, Child Lock, Equalizer Country	38

Option 39. Personal Preference Equalizer Band 1.....	39
Option 40. Personal Preference Equalizer Band 2.....	39
Option 41. Personal Preference Equalizer Band 3.....	39
Option 42. Personal Preference Equalizer Band 4.....	39
Option 43. Personal Preference Equalizer Band 5.....	39
Option 44. Sound Effect (Standard; Music; Speech; Jazz; Pp).....	39
Option 45. Volume Offset Left.....	39
Option 46. Volume Offset Right.....	39
Option 47. Volume Offset Center.....	40
Option 48. Volume Offset Rear.....	40
Option 49. Surround Delay.....	40
Option 50. FM Prescale.....	40
Option 51. NICAM Prescale.....	40
Option 52. Scart Input Prescale.....	40
Option 53. I2S Prescale.....	40
Option 54. Scart Output Prescale.....	40
Option 55. Speaker Setup.....	41
Option 56. Audio Options Available Or Not.....	41
Option 57. Stereo Threshold.....	41
Option 58. MSP Audio Flags.....	42
Option 59. NICAM Threshold.....	42
Option 60. Power Delay Time.....	42
14.4.OPTION TABLE RECOMMENDED VALUES.....	45
14.5.SCREEN ADJUSTMENT (FBT SCREEN).....	47
14.6.GEOMETRY ADJUSTMENT.....	48
4:3 FORMATS.....	48
16:9 FORMATS.....	49
16.BLOCK DIAGRAM.....	57
17.CIRCUIT DIAGRAMS.....	58

1.INTRODUCTION

11AK45 is a 50Hz colour television capable of driving 24" + CRT sizes(beginning from 24" 16:9 up to 33").

The chassis is capable of operation in PAL, SECAM, NTSC (playback) colour standards and multiple transmission standards as B/G, D/K, I/I', and L/L'.

Sound system output is supplying 2x10W (10%THD) for left and right outputs of 8ohm speakers.

TV supports FASTTEXT. It is possible to decode transmissions including high graphical data.

The chassis is equipped with three full EuroScarts, only one of them supports RGB input, one headphone output, one FAV input, one SVHS input (via SCART)

2.TUNER

The hardware and software of the TV is suitable for tuners, supplied by different companies, which are selected from the Service Menu. These tuners can be combined VHF, UHF tuners suitable for CCIR systems B/G, H, L, L', I/I', and D/K. The tuning is available through the digitally controlled I²C bus (PLL). Below you will find info on one of the Tuners in use.

General description of UV1316:

The UV1316 tuner belongs to the UV 1300 family of tuners, which are designed to meet a wide range of applications. It is a combined VHF, UHF tuner suitable for CCIR systems B/G, H, L, L', I and I'. The low IF output impedance has been designed for direct drive of a wide variety of SAW filters with sufficient suppression of triple transient.

Features of UV1316:

1. Member of the UV1300 family small sized UHF/VHF tuners
2. Systems CCIR: B/G, H, L, L', I and I'; OIRT: D/K
3. Digitally controlled (PLL) tuning via I²C-bus
4. Off-air channels, S-cable channels and Hyperband
5. World standardized mechanical dimensions and world standard pinning
6. Compact size
7. Complies to "CENELEC EN55020" and "EN55013"

Pinning:

1. Gain control voltage (AGC) : 4.0V, Max: 4.5V
2. Tuning voltage
3. I²C-bus address select : Max: 5.5V
4. I²C-bus serial clock : Min:-0.3V, Max: 5.5V
5. I²C-bus serial data : Min:-0.3V, Max: 5.5V
6. Not connected
7. PLL supply voltage : 5.0V, Min: 4.75V, Max: 5.5V
8. ADC input
9. Tuner supply voltage : 33V, Min: 30V, Max: 35V
10. Symmetrical IF output 1
11. Symmetrical IF output 2

3.IF PART (TDA9885/86)

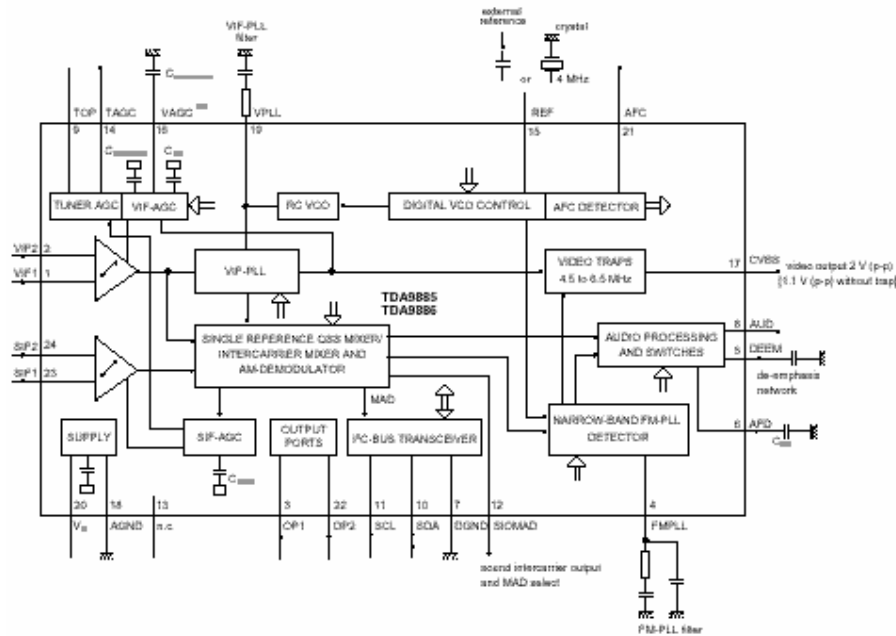
The TDA9885 is an alignment-free single standard (without positive modulation) vision and sound IF signal PLL.

The TDA9886 is an alignment-free multistandard (PAL, SECAM and NTSC) vision and sound IF signal PLL Both devices can be used for TV, VTR, PC and set-top box applications.

The following figure shows the simplified block diagram of the integrated circuit.

The integrated circuit comprises the following functional blocks:

VIF amplifier, Tuner and VIF-AGC, VIF-AGC detector, Frequency Phase-Locked Loop (FPLL) detector, VCO and divider, Digital acquisition help and AFC, Video demodulator and amplifier, Sound carrier trap, SIF amplifier, SIF-AGC detector, Single reference QSS mixer, AM demodulator, FM demodulator and acquisition help, Audio amplifier and mute time constant, I²C-bus transceivers and MAD (module address), Internal voltage stabilizer.



(7) Not connected for TDA8855.

4.VIDEO SWITCH TEA6415

In case of three or more external sources are used, the video switch IC TEA6415 is used. The main function of this device is to switch 8 video-input sources on the 6 outputs. Each output can be switched on only one of each input. On each input an alignment of the lowest level of the signal is made (bottom of sync. top for CVBS or black level for RGB signals). Each nominal gain between any input and output is 6.5dB. For D2MAC or Chroma signal the alignment is switched off by forcing, with an external resistor bridge, 5VDC on the input. Each input can be used as a normal input or as a MAC or Chroma input (with external Resistor Bridge). All the switching possibilities are changed through the BUS. Driving 75ohm load needs an external resistor. It is possible to have the same input connected to several outputs.

5.MULTI STANDARD SOUND PROCESSOR

The MSP 34x10G family of single-chip Multi-standard Sound Processors covers the sound processing of all analog TV-Standards worldwide, as well as the NICAM digital sound standards. The full TV sound processing, starting with analog sound IF signal-in, down to processed analog AF-out, is performed on a single chip.

The DBX noise reduction, or alternatively, MICRONAS Noise Reduction (MNR) is performed alignment free. Other processed standards are the Japanese FM-FM multiplex standard (EIA-J) and the FM Stereo Radio standard.

6.SOUND OUTPUT STAGE WITH TDA7269A

The TDA7269A is class AB dual Audio power amplifier assembled in the Multi-watt package, specially designed for high quality sound application as Hi-Fi music centers and stereo TV sets.

7.BERTICAL OUTPUT STAGE WITH STV9379FA

The IC STV9379FA is the vertical deflection booster circuit. Two supply voltages, +14V and -14V are needed to scan the inputs VERT+ and VERT-, respectively. And a third supply voltage, +60V for the flyback limiting are needed. The vertical deflection coil is connected in series between the output and feedback to the input.

8.VIDEO OUTPUT AMPLIFIER TDA6108

The TDA6108Q includes three video output amplifiers is intended to drive the three cathodes of a colour picture tube.

9. POWER SUPPLY (SMPS)

The DC voltages required at various parts of the chassis are provided by an SMPS transformer controlled by the IC MC44608, which is designed for driving, controlling and protecting switching transistor of SMPS. The transformer generates 145V for FBT input, +/-14V for audio amplifier, 5V and 3.3V stand by voltage and 8V, 12V and 5V supplies for other different parts of the chassis.

An optocoupler is used to control the regulation of line voltage and stand-by power consumption. There is a regulation circuit in secondary side. This circuit produces a control voltage according to the changes in 145V DC voltage, via an optocoupler (TCET1102G) to pin3 of the IC.

During the switch on period of the transistor, energy is stored in the transformer. During the switch off period energy is fed to the load via secondary winding. By varying switch-on time of the power transistor, it controls each portion of energy transferred to the second side such that the output voltage remains nearly independent of load variations.

10. MICROCONTROLLER SDA55XX

10.1. General Features

- Feature selection via special function register
- Simultaneous reception of TTX, VPS, PDC, and WSS (line 23)
- Supply Voltage 2.5 and 3.3 V
- ROM version package PSDIP52-2, PMQFP64-1
- Romless version package PMQFP100-2, PLCC84-2

10.2. External Crystal and Programmable Clock Speed

- Single external 6MHz crystal, all necessary clocks are generated internally
- CPU clock speed selectable via special function registers.
- Normal Mode 33.33 MHz CPU clock, Power Save mode 8.33 MHz

10.3. Microcontroller Features

- 8bit 8051 instruction set compatible CPU.
- 33.33-MHz internal clock (max.)
- 0.360 ms (min.) instruction cycle
- Two 16-bit timers
- Watchdog timer
- Capture compare timer for infrared remote control decoding
- Pulse width modulation unit (2 channels 14 bit, 6 channels 8 bit)
- ADC (4 channels, 8 bit)
- UART (rx, tx)

10.4. Memory

- Non-multiplexed 8-bit data and 16 ... 20-bit address bus (ROMless Version)
- Memory banking up to 1Mbyte (Romless version)
- Up to 128 Kilobyte on Chip Program ROM
- Eight 16-bit data pointer registers (DPTR)
- 256-bytes on-chip Processor Internal RAM (IRAM)
- 128bytes extended stack memory.
- Display RAM and TXT/VPS/PDC/WSS-Acquisition-Buffer directly accessible via MOVX
- UP to 16KByte on Chip Extended RAM (XRAM) consisting of;
 - 1 Kilobyte on-chip ACQ-buffer-RAM (access via MOVX)
 - 1 Kilobyte on-chip extended-RAM (XRAM, access via MOVX) for user software
 - 3 Kilobyte Display Memory

10.5. Display Features

- ROM Character Set Supports all East and West European Languages in single device
- Mosaic Graphic Character Set
- Parallel Display Attributes
- Single/Double Width/Height of Characters
- Variable Flash Rate
- Programmable Screen Size (25 Rows x 33...64 Columns)
- Flexible Character Matrixes (HxV) 12 x 9...16
- Up to 256 Dynamical Redefinable Characters in standard mode; 1024 Dynamical Redefinable Characters in Enhanced Mode
- CLUT with up to 4096 colour combinations

- Up to 16 Colours per DRCS Character
- One out of Eight Colours for Foreground and Background Colours for 1-bit DRCS and ROM Characters
- Shadowing
- Contrast Reduction
- Pixel by Pixel Shiftable Cursor With up to 4 Different Colours
- Support of Progressive Scan and 100 Hz.
- 3 X 4Bits RGB-DACs On-Chip
- Free Programmable Pixel Clock from 10 MHz to 32MHz
- Pixel Clock Independent from CPU Clock
- Multinorm H/V-Display Synchronization in Master or Slave Mode

10.6.Acquisition Features

- Multi-standard Digital Data Slicer
- Parallel Multi-norm Slicing (TTX, VPS, WSS, CC, G+)
- Four Different Framing Codes Available
- Data Caption only limited by available Memory
- Programmable VBI-buffer
- Full Channel Data Slicing Supported
- Fully Digital Signal Processing
- Noise Measurement and Controlled Noise Compensation
- Attenuation Measurement and Compensation
- Group Delay Measurement and Compensation
- Exact Decoding of Echo Disturbed Signals

10.7.Ports

- One 8-bit I/O-port with open drain output and optional I²C Bus emulation support (Port0)
- Two 8-bit multifunction I/O-ports (Port1, Port3)
- One 4-bit port working as digital or analogue inputs for the ADC (Port2)
- One 2-bit I/O port with secondary function (P4.2, 4.3, 4.7)
- One 4-bit I/O-port with secondary function (P4.0, 4.1, 4.4) (Not available in P-SDIP 52)

11.CLASS AB STEREO HEADPHONE DRIVER TDA1308

The TDA1308 is an integrated class AB stereo headphone driver contained in a DIP8 plastic package. The device is fabricated in a 1 mm CMOS process and has been primarily developed for portable digital audio applications.

12.SAW FILTERS

K3953M:

Standard

B/G, D/K, I, L/L'

Features

TV IF filter with Nyquist slopes at 33,90 MHz and 38,90 MHz

Constant group delay

Suitable for CENELEC EN 55020

Terminals

Tinned CuFe alloy

Pin configuration

1 Input

2 Input - ground

3 Chip carrier - ground

4 Output

5 Output

K3958M:

Standard

B/G, D/K, I, L/L'

Features

TV IF filter with Nyquist slopes at 33.90 MHz and 38.90 MHz

Constant group delay

Terminal and Pin configuration are the same with K3953M

K9356M:

Standard

B/G, D/K, I, L

Features

TV IF audio filter with pass band for sound carriers at 32,40 MHz (D/K, L), 32,90 MHz (I) and 33,40 MHz (B/G)

Terminal and Pin configuration are the same with K3953M

K9656M:

Standard

B/G, D/K, I, L/L'

Features

TV IF audio filter with two channels

Channel 1 (L') with one pass band for sound carriers at 40,40 MHz (L') and 39,75 MHz (L' - NICAM)

Channel 2 (B/G, D/K, L, I) with one pass band for sound carriers between 32,35 MHz and 33,40 MHz

Terminal and Pin configuration are the same with K3953M

13.IC DESCRIPTIONS

LM317T

MSP3410G

TEA6415

TDA7269A

24C08

MC44608

TDA9885T

TDA1308T

VDP3130Y

STV9379FA

LM7805/LM7808

SDA55XX

TCET1102G

13.1.LM317T

13.1.1.Description

The LM317T is an adjustable 3 terminal positive voltage regulator capable of supplying in excess of 1.5 amps over an output range of 1.25 to 37 volts. This voltage regulator is exceptionally easy to use and requires only two external resistors to set the output voltage. Further, it employs internal current limiting, thermal shutdown and safe area compensation, making it essentially blow-out proof. The LM317 serves a wide variety of applications including local, on card regulation. This device can also be used to make a programmable output regulator, or by connecting a fixed resistor between the adjustment and output, the LM317 can be used as a precision current regulator.

13.1.2.Features

- Output Current in Excess of 1.5 A
- Output Adjustable between 1.2 V and 37 V
- Internal Thermal Overload Protection
- Internal Short Circuit Current Limiting Constant with Temperature
- Output Transistor Safe-Area Compensation
- Floating Operation for High Voltage Applications
- Available in Surface Mount D²PAK, and Standard 3-Lead Transistor Package
- Eliminates Stocking many Fixed Voltages

13.2.TDA1308T

13.2.1.General Description

The TDA1308 is an integrated class AB stereo headphone driver contained in an SO8 or a DIP8 plastic package. The device is fabricated in a 1 mm CMOS process and has been primarily developed for portable digital audio applications. It gets its input from two analog audio outputs (DACA_L and DACA_R) of MSP 34x0G. The gain of the output is adjustable by the feedback resistor between the inputs and outputs.

13.2.2.Features

- Wide temperature range
- No switch ON/OFF clicks
- Excellent power supply ripple rejection

- Low power consumption
- Short-circuit resistant
- High performance
- high signal-to-noise ratio
- High slew rate
- Low distortion
- Large output voltage swing.

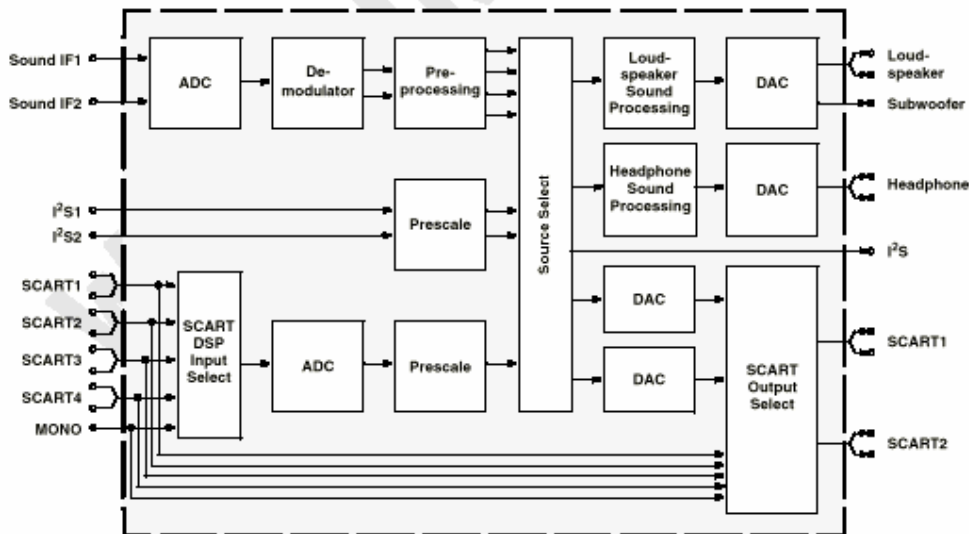
13.2.3.Pinning

SYMBOL	PIN	DESCRIPTION
OUTA	1	Output A
INA(neg)	2	Inverting input A
INA(pos)	3	Non-inverting input A
V _{SS}	4	Negative supply
INB(pos)	5	Non-inverting input B
INB(neg)	6	Inverting input B
OUTB	7	Output B
V _{DD}	8	Positive supply

13.3.MSP34X0G (MSP3410G)

13.3.1.Description

The MSP 34x0G family of single-chip Multi standard Sound Processors covers the sound processing of all analog TV-Standards worldwide, as well as the NICAM digital sound standards. The full TV sound processing, starting with analog sound IF signal-in, down to processed analog AF-out, is performed on a single chip. Figure shows a simplified functional block diagram of the MSP 34x0G.



This new generation of TV sound processing ICs now includes versions for processing the multi channel television sound (MTS) signal conforming to the standard recommended by the Broadcast Television Systems Committee (BTSC). The DBX noise reduction, or alternatively, MICRONAS Noise Reduction (MNR) is performed alignment free. Other processed standards are the Japanese FM-FM multiplex standard (EIA-J) and the FM Stereo Radio standard. Current ICs have to perform adjustment procedures in order to achieve good stereo separation for BTSC and EIA-J. The MSP 34x0G has optimum stereo performance without any adjustments.

All MSP 34x0G versions are pin and software downward compatible to the MSP34x0D. The MSP34x0G further simplifies controlling software. Standard selection requires a single I²C transmission only.

The MSP 34x0G has built-in automatic functions: The IC is able to detect the actual sound standard automatically (Automatic Standard Detection). Furthermore, pilot levels and identification signals can be evaluated internally with subsequent switching between mono/stereo/bilingual; no I²C interaction is necessary (Automatic Sound Selection).

13.3.2.Features

Standard Selection with single I²C transmission
 Automatic Standard Detection of terrestrial TV standards
 Automatic Sound Selection (mono/stereo/bilingual), new registers MODUS, STATUS
 Two selectable sound IF (SIF) inputs
 Automatic Carrier Mute function
 Interrupt output programmable (indicating status change)
 Loudspeaker / Headphone channel with volume, balance, bass, treble, loudness
 AVC: Automatic Volume Correction
 Subwoofer output with programmable low-pass and complementary high-pass filter
 5-band graphic equalizer for loudspeaker channel
 Spatial effect for loudspeaker channel
 Four Stereo SCART (line) inputs, one Mono input; two Stereo SCART outputs
 Complete SCART in/out switching matrix
 Two I²S inputs; one I²S output
 Dolby Pro Logic with DPL 351xA coprocessor
 All analog FM-Stereo A2 and satellite standards; AM-SECAM L standard
 Simultaneous demodulation of (very) high-deviation FM-Mono and NICAM
 Adaptive deemphasis for satellite (Wegener-Panda, acc. to ASTRA specification)
 ASTRA Digital Radio (ADR) together with DRP 3510A
 All NICAM standards
 Korean FM-Stereo A2 standard

13.3.3.Pin connections

NC = not connected; leave vacant
 LV = if not used, leave vacant
 X = obligatory; connect as described in circuit diagram
 DVSS: if not used, connect to DVSS
 AHVSS: connect to AHVSS

PLCC 68-pin	Pin No.				Pin Name	Type	Connection (if not used)	Short Description
	PSDIP 64-pin	PSDIP 52-pin	PQFP 80-pin	PLQFP 64-pin				
1	16	14	9	8	ADR_WS	OUT	LV	ADR word strobe
2	-	-	-	-	NC		LV	Not connected
3	15	13	8	7	ADR_DA	OUT	LV	ADR Data Output
4	14	12	7	6	I2S_DA_IN1	IN	LV	I ² S1 data input
5	13	11	6	5	I2S_DA_OUT	OUT	LV	I ² S data output
6	12	10	5	4	I2S_WS	IN/OUT	LV	I ² S word strobe
7	11	9	4	3	I2S_CL	IN/OUT	LV	I ² S clock
8	10	8	3	2	I2C_DA	IN/OUT	X	I ² C data
9	9	7	2	1	I2C_CL	IN/OUT	X	I ² C data
10	8	-	1	64	NC		LV	Not connected
11	7	6	80	63	STANDBYQ	IN	X	Stand-by (low-active)
12	6	5	79	62	ADR_SEL	IN	X	I ² C bus address select
13	5	4	78	61	D_CTR_I/O_0	IN/OUT	LV	D_CTR_I/O_0
14	4	3	77	60	D_CTR_I/O_1	IN/OUT	LV	D_CTR_I/O_1
15	3	-	76	59	NC		LV	Not connected
16	2	-	75	58	NC		LV	Not connected
17	-	-	-	-	NC		LV	Not connected
18	1	2	74	57	AUD_CL_OUT	OUT	LV	Audio clock output (18.432 MHz)
19	64	1	73	56	TP		LV	Test pin
20	63	52	72	55	XTAL_OUT	OUT	X	Crystal oscillator
21	62	51	71	54	XTAL_IN	IN	X	Crystal oscillator
22	61	50	70	53	TESTEN	IN	X	Test pin
23	60	49	69	52	ANA_IN2+	IN	AVSS via 56 pF/LV	IF input 2 (can be left vacant, only if IF input 1 is also not in use)
24	59	48	68	51	ANA_IN-	IN	AVSS via 56 pF/LV	IF common (can be left vacant, only if IF input 1 is also not in use)
25	58	47	67	50	ANA_IN1+	IN	LV	IF input 2
26	57	46	66	49	AVSUP		X	Analog power supply 5v
-	-	-	65	-	AVSUP		X	Analog power supply 5v

-	-	-	64	-	NC		LV	Not connected
-	-	-	63	-	NC		LV	Not connected
27	56	45	62	48	AVSS		X	Analog ground
-	-	-	61	-	AVSS		X	Analog ground
28	55	44	60	47	MONO_IN	IN	LV	Mono input
-	-	-	59	-	NC		LV	Not connected
29	54	43	58	46	VREFTOP		X	Reference voltage IF A/D converter
30	53	42	57	45	SC1_IN_R	IN	LV	SCART 1 input, right
31	52	41	56	44	SC1_IN_L	IN	LV	SCART 1 input, left
32	51	-	55	43	ASG1		AHVSS	Analog Shield Ground 1
33	50	40	54	42	SC2_IN_R	IN	LV	SCART 2 input, right
34	49	39	53	41	SC2_IN_L	IN	LV	SCART 2 input, left
35	48	-	52	40	ASG2		AHVSS	Analog Shield Ground 2
36	47	38	51	39	SC3_IN_R	IN	LV	SCART 3 input, right
37	46	37	50	38	SC3_IN_L	IN	LV	SCART 3 input, left
38	45	-	49	37	ASG4		AHVSS	Analog Shield Ground 4
39	44	-	48	36	SC4_IN_R	IN	LV	SCART 4 input, right
40	43	-	47	35	SC4_IN_L	IN	LV	SCART 4 input, left
41	-	-	46	-	NC		LV or AHVSS	Not connected
42	42	36	45	34	AGNDC		X	Analog reference voltage
43	41	35	44	33	AHVSS		X	Analog ground
-	-	-	43	-	AHVSS		X	Analog ground
-	-	-	42	-	NC		LV	Not connected
-	-	-	41	-	NC		LV	Not connected
44	40	34	40	32	CAPL_M		X	Volume capacitor MAIN
45	39	33	39	31	AHVSUP		X	Analog power supply 8V
46	38	32	38	30	CAPL_A		X	Volume capacitor AUX
47	37	31	37	29	SC1_OUT_L	OUT	LV	SCART output 1, left
48	36	30	36	28	SC1_OUT_R	OUT	LV	SCART output 1, right
49	35	29	35	27	VREF1		X	Reference ground 1
50	34	28	34	26	SC2_OUT_L	OUT	LV	SCART output 2, left
51	33	27	33	25	SC2_OUT_R	OUT	LV	SCART output 2, right
52	-	-	32	-	NC		LV	Not connected
53	32	-	31	24	NC		LV	Not connected
54	31	26	30	23	DACM_SUB	OUT	LV	Subwoofer output
55	30	-	29	22	NC		LV	Not connected
56	29	25	28	21	DACM_L	OUT	LV	Loudspeaker out, left
57	28	24	27	20	DACM_R	OUT	LV	Loudspeaker out, right
58	27	23	26	19	VREF2		X	Reference ground 2
59	26	22	25	18	DACA_L	OUT	LV	Headphone out, left
60	25	21	24	17	DACA_R	OUT	LV	Headphone out, right
-	-	-	23	-	NC		LV	Not connected
-	-	-	22	-	NC		LV	Not connected
61	24	20	21	16	RESETQ	IN	X	Power-on-reset
62	23	-	20	15	NC		LV	Not connected
63	22	-	19	14	NC		LV	Not connected
64	21	19	18	13	NC		LV	Not connected
65	20	18	17	12	I2S_DA_IN2	IN	LV	I ² S2-data input
66	19	17	16	11	DVSS		X	Digital ground
-	-	-	15	-	DVSS		X	Digital ground
-	-	-	14	-	DVSS		X	Digital ground
67	18	16	13	10	DVSUP		X	Digital power supply 5V
-	-	-	12	-	DVSUP		X	Digital power supply 5V
-	-	-	11	-	DVSUP		X	Digital power supply 5V
68	17	15	10	9	ADR_CL	OUT	LV	ADR clock

13.4.VDP313xY

13.4.1.Introduction

The VDP 313xY is a video IC family of high-quality single-chip video processors. Modular design and a sub-micron technology allow the economic integration of features in all classes of TV sets. The VDP 313xY family is based on the VDP 31xxB including YCRCb inputs for DVD component signals.

The VDP 313xY includes complete video, display and deflection processing. All processing is done digitally, the video frontend and video backend are interfacing to the analog world. Most functions of the VDP can be controlled by software via I²C-Bus interface

13.4.2.Features

Video Decoding and Processing

- four CVBS, one S-VHS input, one YC R C B component input
- integrated high-quality A/D converters and associated clamp and AGC circuits
- adaptive 2H comb filter Y/C separator
- multistandard colour decoder PAL/NTSC/SECAM including all substandards
- multistandard sync decoder
- automatic standard recognition
- black-line detector
- linear horizontal scaling (0.25...4), as well as nonlinear horizontal scaling "Panoramavision"
- black-level expander
- dynamic peaking
- soft limiter (gamma correction)
- colour transient improvement

RGB Processing and Deflection

- programmable RGB matrix
- two analog RGB / Fastblank inputs
- half-contrast switch
- picture frame generator
- scan velocity modulation output
- high-performance H/V deflection
- separate ADC for tube measurements
- EHT compensation
- angle and bow correction
- one 20.25 MHz crystal, few external components
- I²C-Bus Interface
- 64-pin PSDIP package

13.4.3.Pin Connections and short descriptions

NC = not connected

X = obligatory; connect as described in circuit diagram

OUT = Output

LV = if not used, leave vacant

IN = Input

SUPPLY = Supply Pin

Pin no PSDIP 64-pin	Pin name	Type	Connection (if not used)	Short description
1	TEST	IN	GNDD	Test Input
2	RESQ	IN	X	Reset Input
3	SCL	IN/OUT	X	I ² C Bus Clock
4	SDA	IN/OUT	X	I ² C Bus Data
5	GNDD	SUPPLY	X	Digital Ground
6	HCS	IN	LV	Half Contrast Switch Input
7	FSY	OUT	LV	Front Sync Output
8	CSY	OUT	LV	Composite Sync Output
9	VS	OUT	LV	Vertical Sync Output (=VS Bit of MSY for TPU)
10	INTLC	OUT	LV	Intefrace Control Output
11	VPROT	IN	GNDAB	Vertical Protection Input
12	SAFETY	IN	GNDAB	Safety Input
13	HFLB	IN	HOUT	Horizontal Flyback Input
14	GNDD	SUPPLY	X	Digital Ground
15	VSUPD	SUPPLY	X	Digital Supply Voltage (3.3V)
16	GNDD	SUPPLY	X	Digital Ground
17	VSUPD	SUPPLY	LV	Digital Supply Voltage (3.3V)
18	P0	IN/OUT	LV	Port 1, Bit 0
19	P1	IN/OUT	LV	Port 1, Bit 1
20	P2	IN/OUT	GNDD	Port 1, Bit 2
21	P3	IN/OUT	GNDD	Port 1, Bit 3
22	P4	IN/OUT	GNDD	Port 1, Bit 4
23	P5	IN/OUT	GNDD	Port 1, Bit 5
24	P6	IN/OUT	GNDD	Port 1, Bit 6

25	GNDD	SUPPLY	X	Digital Ground
26	RSW2	OUT	GNDAB	Range Switch 2 for Measurement ADC
27	RSW1	OUT	GNDAB	Range Switch 1 for Measurement ADC
28	SENSE	IN	GNDAB	Sense ADC Input
29	GNDM	SUPPLY	X	Ground, MADC input
30	VERTQ	OUT	LV	Inverted Vertical Sawtooth Output
31	VERT	OUT	LV	Vertical Sawtooth Output
32	E/w	OUT	LV	Vertical Parabola Output
33	XREF	IN	X	Reference Input for RGB DACs
34	SVMOUT	OUT	VSUPAB	Analog Scan Velocity Modulation Output
35	GNDAB	SUPPLY	X	Analog Ground Backend
36	VSUPAB	SUPPLY	X	Analog Supply Voltage (5.0V) Backend
37	ROUT	OUT	VSUPAB	Analog Red Output
38	GOUT	OUT	VSUPAB	Analog Green Output
39	BOUT	OUT	VSUPAB	Analog Blue Output
40	VRD	IN	X	DAC Reference
41	RIN	IN	GNDAB	Analog Red Input
42	GIN	IN	GNDAB	Analog Green Input
43	BIN	IN	GNDAB	Analog Blue Input
44	FBLIN	IN	GNDAB	Fast Blank Input
45	RIN2	IN	GNDAB	Analog Red Input2
46	GIN2	IN	GNDAB	Analog Green Input2
47	BIN2	IN	GNDAB	Analog Blue Input2
48	FBLIN2	IN	GNDAB	Fast Blank Input2
49	CLK20	OUT	LV	20.25 MHz System Clock Output
50	HOUT	OUT	X	Horizontal Drive Output
51	XTAL 1	IN	X	Analog Crystal Input
52	XTAL 2	OUT	X	Analog Crystal Output
53	CIN 2/CRIN		LV	Analog Chroma 2/Component C _R Input
54	CBIN	IN	LV	Component C _B Input
55	GNDAF	SUPPLY	X	Analog Ground Frontend
56	SGND	IN	GNDAF	Signal Ground for Analog Input
57	VRT	IN	X	Reference Voltage Top, Video ADC
58	VSUPAF	SUPPLY	X	Analog Supply Voltage (5.0V) Frontend
59	VOUT	OUT	LV	Analog Video Output
60	CIN1	IN	VRT	Analog Chroma 1 Input
61	VIN1	IN	VRT	Analog Video 1 Input
62	VIN2	IN	VRT	Analog Video 2 Input
63	VIN3	IN	VRT	Analog Video 3 Input
64	VIN4	IN	VRT	Analog Video 4 Input

13.5.TEA6415C

13.5.1.General Description

The main function of the IC is to switch 8 video input sources on 6 outputs. Each output can be switched on only one of each input. On each input an alignment of the lowest level of the signal is made (bottom of synch. top for CVBS or black level for RGB signals). Each nominal gain between any input and output is 6.5dB. For D2MAC or Chroma signal the alignment is switched off by forcing, with an external resistor bridge, 5 V_{DC} on the input. Each input can be used as a normal input or as a MAC or Chroma input (with external resistor bridge). All the switching possibilities are changed through the BUS. Driving 75Ω load needs an external transistor. It is possible to have the same input connected to several outputs. The starting configuration upon power on (power supply: 0 to 10V) is undetermined. In this case, 6 words of 16 bits are necessary to determine one configuration. In other case, 1 word of 16 bits is necessary to determine one configuration.

13.5.2.Features

- 20MHz Bandwidth
- Cascadable with another TEA6415C (Internal address can be changed by pin 7 voltage)
- 8 Inputs (CVBS, RGB, MAC, CHROMA,...)
- 6 Outputs
- Possibility of MAC or chroma signal for each input by switching-off the clamp with an external resistor bridge
- Bus controlled

- 6.5dB gain between any input and output
- 55dB crosstalk at 5mHz
- Fully ESD protected

13.5.3.Pinning

1. Input : Max : 2Vpp, Input Current: 1mA, Max : 3mA
2. Data : Low level: -0.3V Max: 1.5V,
High level : 3.0V Max : Vcc+0.5V
3. Input : Max : 2Vpp, Input Current: 1mA, Max : 3mA
4. Clock : Low level: -0.3V Max: 1.5V,
High level : 3.0V Max : Vcc+0.5V
5. Input : Max : 2Vpp, Input Current: 1mA, Max : 3mA
6. Input : Max : 2Vpp, Input Current: 1mA, Max : 3mA
7. Prog
8. Input : Max : 2Vpp, Input Current: 1mA, Max: 3mA
9. Vcc : 12V
10. Input : Max : 2Vpp, Input Current: 1mA, Max : 3mA
11. Input : Max : 2Vpp, Input Current: 1mA, Max : 3mA
12. Ground
13. Output : 5.5Vpp, Min : 4.5Vpp
14. Output : 5.5Vpp, Min : 4.5Vpp
15. Output : 5.5Vpp, Min : 4.5Vpp
16. Output : 5.5Vpp, Min : 4.5Vpp
17. Output : 5.5Vpp, Min : 4.5Vpp
18. Output : 5.5Vpp, Min : 4.5Vpp
19. Ground
20. Input : Max : 2Vpp, Input Current : 1mA, Max : 3mA

13.6.STV9379FA

13.6.1.Description

Designed for monitors and high performance TVs, the STV9379FA vertical deflection booster can handle flyback voltage up to 90V. Further to this, it is possible to have a flyback voltage, which is more than the double of the supply (Pin 2). This allows to decrease the power consumption, or to decrease the flyback time for a given supply voltage. The STV9379FA operates with supplies up to 42V and provides up to 2.6APP output current to drive the yoke. The STV9379FA is offered in HEPTAWATT package.

13.6.2.Features

Power Amplifier
 Thermal Protection
 Output Current Up To 2.6APP
 Flyback Voltage Up To 90V (on Pin 5)
 Suitable For DC Coupling Application
 External Flyback Supply

13.6.3.Pinning

Pin1 : Output Stage Supply
 Pin2 : Output
 Pin3 : GND or Negative Supply
 Pin4 : Flyback Supply
 Pin5 : Supply Voltage
 Pin6 : Inverting Input
 Pin7 : Non-inverting Input

13.7.TDA7269A

13.7.1.Description

The TDA7269A is class AB dual Audio power amplifier assembled in the Multiwatt package, specially designed for high quality sound application as Hi-Fi music centers and stereo TV sets.

13.7.2.Features

Wide Supply Voltage Range Up To $\pm 20V$
Split Supply
High Output Power
14 + 14W @THD = 10%, $R_L = 8\Omega, V_S = +16V$
No Pop at Turn-On/Off
Mute (Pop Free)
Stand-By Feature (Low I_q)
Short Circuit Protection To Gnd
Thermal Overload Protection

13.8.LM7800 (LM7805/LM7808)

13.8.1.Description

The L7800 series of three-terminal positive regulators is available in TO-220 TO-220FP TO-3 and D 2 PAK packages and several fixed output voltages, making it useful in a wide range of applications. These regulators can provide local on-card regulation, eliminating the distribution problems associated with single point regulation. Each type employs internal current limiting, thermal shutdown and safe area protection, making it essentially indestructible. If adequate heat sinking is provided, they can deliver over 1A output current. Although designed primarily as fixed voltage regulators, these devices can be used with external components to obtain adjustable voltages and currents.

13.8.2.Features

Output Current Up To 1.5 A
Output Voltages of 5; 5.2; 6; 8; 8.5; 9; 12; 15; 18; 24V
Thermal Over load protection
Short Circuit Protection
Output Transition SOA Protection

13.9.AT24C08

13.9.1.Description

The AT24C01A/02/04/08/16 provides 1024/2048/4096/8192/16384 bits of serial electrically erasable and programmable read-only memory (EEPROM) organized as 128/256/512/1024/2048 words of 8 bits each. The device is optimized for use in many industrial and commercial applications where low-power and low-voltage operation are essential. The AT24C01A/02/04/08/16 is available in space-saving 8-pin PDIP, (AT24C01A/02/04/08/16), 8-lead TSSOP (AT24C01A/02/04/08/16) and 8-lead JEDEC SOIC (AT24C01A/02/04/08/16) packages and is accessed via a 2-wire serial interface. In addition, the entire family is available in 5.0V (4.5V to 5.5V), 2.7V (2.7V to 5.5V), 2.5V (2.5V to 5.5V) and 1.8V (1.8V to 5.5V) versions.

13.9.2.Features

- Low-voltage and Standard-voltage Operation
 - 5.0 (V CC = 4.5V to 5.5V)
 - 2.7 (V CC = 2.7V to 5.5V)
 - 2.5 (V CC = 2.5V to 5.5V)
 - 1.8 (V CC = 1.8V to 5.5V)
- Internally Organized 128 x 8 (1K), 256 x 8 (2K), 512 x 8 (4K), 1024 x 8 (8K) or 2048 x 8 (16K)
- 2-wire Serial Interface
- Schmitt Trigger, Filtered Inputs for Noise Suppression
- Bi-directional Data Transfer Protocol
- 100 kHz (1.8V, 2.5V, 2.7V) and 400 kHz (5V) Compatibility
- Write Protect Pin for Hardware Data Protection

- 8-byte Page (1K, 2K), 16-byte Page (4K, 8K, 16K) Write Modes
- Partial Page Writes are Allowed
- Self-timed Write Cycle (10 ms max)
- High-reliability
 - Endurance: 1 Million Write Cycles
 - Data Retention: 100 Years
- Automotive Grade and Extended Temperature Devices Available
- 8-lead JEDEC SOIC, 8-pin PDIP and 8-lead TSSOP Packages

13.9.3.Pin Configurations

Pin name	Function
A0-A2	Address Inputs
SDA	Serial Data
SCL	Serial Clock Input
WP	Write Protect
NC	No Connect

13.10.SDA5555

13.10.1.General definition

The SDA55XX is a single chip teletext decoder for decoding World System Teletext data as well as Video Programming System (VPS), Program Delivery Control (PDC), and Wide Screen Signalling (WSS) data used for PAL plus transmissions (Line 23). The device also supports Closed caption acquisition and decoding. The device provides an integrated general-purpose, fully 8051-compatible Microcontroller with television specific hardware features. Microcontroller has been enhanced to provide powerful features such as memory banking, data pointers, and additional interrupts etc. The on-chip display unit for displaying Level 1.5 teletext data can also be used for customer defined on screen displays. Internal XRAM consists of up to 16 Kbytes. Device has an internal ROM of up to 128 KBytes. ROMless versions can access up to 1 MByte of external RAM and ROM. The SDA 55XX supports a wide range of standards including PAL, NTSC and contains a digital slicer for VPS, WSS, PDC, TTX and Closed Caption, an accelerating acquisition hardware module, a display generator for Level 1.5 TTX data and powerful On screen Display capabilities based on parallel attributes, and Pixel oriented characters (DRCS).

13.10.2.Features

General

- Feature selection via special function register
- Simultaneous reception of TTX, VPS, PDC, and WSS (line 23)
- Supply Voltage 2.5 and 3.3 V
- ROM version package PSDIP52-2, PMQFP64-1
- Romless version package PMQFP100-2, PLCC84-2

External Crystal and Programmable Clock Speed

- Single external 6MHz crystal, all necessary clocks are generated internally
- CPU clock speed selectable via special function registers.
- Normal Mode 33.33 MHz CPU clock, Power Save mode 8.33 MHz

Microcontroller Features

- 8bit 8051 instruction set compatible CPU.
- 33.33-MHz internal clock (max.)
- 0.360ms (min.) instruction cycle
- Two 16-bit timers
- Watchdog timer
- Capture compare timer for infrared remote control decoding
- Pulse width modulation unit (2 channels 14 bit, 6 channels 8 bit)
- ADC (4 channels, 8 bit)
- UART

Memory

- Non-multiplexed 8-bit data and 16 ... 20-bit address bus (ROMless Version)
- Memory banking up to 1Mbyte (Romless version)
- Up to 128 Kilobyte on Chip Program ROM
- Eight 16-bit data pointer registers (DPTR)
- 256-bytes on-chip Processor Internal RAM (IRAM)
- 128bytes extended stack memory.
- Display RAM and TXT/VPS/PDC/WSS-Acquisition-Buffer directly accessible via MOVX
- UP to 16KByte on Chip Extended RAM (XRAM) consisting of;
 - 1 Kilobyte on-chip ACQ-buffer-RAM (access via MOVX)
 - 1 Kilobyte on-chip extended-RAM (XRAM, access via MOVX) for user software
 - 3 Kilobyte Display Memory

Display Features

- ROM Character Set Supports all East and West European Languages in single device
- Mosaic Graphic Character Set
- Parallel Display Attributes
- Single/Double Width/Height of Characters
- Variable Flash Rate
- Programmable Screen Size (25 Rows x 33...64 Columns)
- Flexible Character Matrixes (HxV) 12 x 9...16
- Up to 256 Dynamical Redefinable Characters in standard mode; 1024 Dynamical Redefinable Characters in Enhanced Mode
- CLUT with up to 4096 colour combinations
- Up to 16 Colours per DRCS Character
- One out of Eight Colours for Foreground and Background Colours for 1-bit DRCS and ROM Characters
- Shadowing
- Contrast Reduction
- Pixel by Pixel Shiftable Cursor With up to 4 Different Colours
- Support of Progressive Scan and 100 Hz.
- 3 X 4Bits RGB-DACs On-Chip
- Free Programmable Pixel Clock from 10 MHz to 32MHz
- Pixel Clock Independent from CPU Clock
- Multinorm H/V-Display Synchronization in Master or Slave Mode

Acquisition Features

- Multistandard Digital Data Slicer
- Parallel Multi-norm Slicing (TTX, VPS, WSS, CC, G+)
- Four Different Framing Codes Available
- Data Caption only Limited by available Memory
- Programmable VBI-buffer
- Full Channel Data Slicing Supported
- Fully Digital Signal Processing
- Noise Measurement and Controlled Noise Compensation
- Attenuation Measurement and Compensation
- Group Delay Measurement and Compensation
- Exact Decoding of Echo Disturbed Signals

Ports

- One 8-bit I/O-port with open drain output and optional I²C Bus emulation support (Port 0)
- Two 8-bit multifunction I/O-ports (Port 1, Port 3)
- One 4-bit port working as digital or analog inputs for the ADC (Port 2)
- One 2-bit I/O port with secondary functions (P4.2, 4.3, 4.7)
- One 4-bit I/O-port with secondary function (P4.0, 4.1, 4.4) (Not available in P-SDIP 52)

13.11.MC44608

13.11.1.Description

The MC44608 is a high performance voltage mode controller designed for off-line converters. This high voltage circuit that integrates the start-up current source and the oscillator capacitor, requires few

external components while offering a high flexibility and reliability. The device also features a very high efficiency stand-by management consisting of an effective Pulsed Mode operation. This technique enables the reduction of the stand-by power consumption to approximately 1W while delivering 300mW in a 150W SMPS.

- Integrated Start-Up Current Source
- Lossless Off-Line Start-Up
- Direct Off-Line Operation
- Fast Start-Up

13.11.2.General Features

- Flexibility
- Duty Cycle Control
- Under voltage Lockout with Hysteresis
- On Chip Oscillator Switching Frequency 40, or 75kHz
- Secondary Control with Few External Components

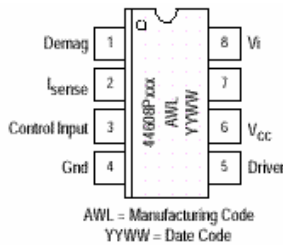
Protections

- Maximum Duty Cycle Limitation
- Cycle by Cycle Current Limitation
- Demagnetization (Zero Current Detection) Protection
- “Over Vcc Protection” Against Open Loop
- Programmable Low Inertia Over Voltage Protection Against Open Loop
- Internal Thermal Protection

GreenLine™ Controller

- Pulsed Mode Techniques for a Very High Efficiency Low Power Mode
- Lossless Startup
- Low dV/dT for Low EMI Radiations

13.11.3.Pin Connections



13.11.4.Pin Function description

Pin	Name	Description
1	Demag	The Demag pin offers 3 different functions: Zero voltage crossing detection (50mV), 24mA current detection and 120mA current detection. The 24mA level is used to detect the secondary reconfiguration status and the 120mA level to detect an Over Voltage status called Quick OVP.
2	ISENSE	The Current Sense pin senses the voltage developed on the series resistor inserted in the source of the power MOSFET. When I sense reaches 1V, the Driver output (pin 5) is disabled. This is known as the Over Current Protection function. A 200mA current source is flowing out of the pin 3 during the start-up phase and during the switching phase in case of the Pulsed Mode of operation. A resistor can be inserted between the sense resistor and the pin 3; thus a programmable peak current detection can be performed during the SMPS stand-by mode.
3	Control Input	A feedback current from the secondary side of the SMPS via the opto-coupler is injected into this pin. A resistor can be connected between this pin and GND to allow the programming of the Burst duty cycle during the Stand-by mode.
4	Ground	This pin is the ground of the primary side of the SMPS.
5	Driver	The current and slew rate capability of this pin are suited to drive Power MOSFETs.
6	VCC	This pin is the positive supply of the IC. The driver output gets disabled when the voltage becomes higher than 15V and the operating range is between 6.6V and 13V. An intermediate voltage level of 10V creates a disabling condition called Latched Off phase.
7		This pin is to provide isolation between the Vi pin 8 and the VCC pin 6.
8	Vi	This pin can be directly connected to a 500V voltage source for start-up function of the IC. During the Start-up phase a 9 mA current source is internally delivered to the VCC pin 6 allowing a rapid charge of the VCC capacitor. As soon as the IC starts-up, this current source is disabled.

13.12.TCET1102G

13.12.1.Description

The TCET110/ TCET2100/ TCET4100 consists of a phototransistor optically coupled to a gallium arsenide infrared-emitting diode in a 4-lead up to 16-lead plastic dual inline package. The elements are mounted on one lead frame using a **coplanar technique**, providing a fixed distance between input and output for highest safety requirements.

13.12.2.Applications

Circuits for safe protective separation against electrical shock according to safety class II (reinforced isolation):

For appl. class I – IV at mains voltage ≤ 300 V

For appl. class I – III at mains voltage ≤ 600 V

According to VDE 0884, table 2, suitable for: **Switch-mode power supplies, line receiver, computer peripheral interface, microprocessor system interface.**

13.12.3.Features

VDE 0884 related features:

Rated impulse voltage (transient overvoltage) $V_{IOTM} = 8$ kV peak

Isolation test voltage (partial discharge test voltage) $V_{pd} = 1.6$ kV

Rated isolation voltage (RMS includes DC) $V_{IOWM} = 600$ V RMS (848 V peak)

Rated recurring peak voltage (repetitive) $V_{IORM} = 600$ V RMS

General features:

CTR offered in 9 groups

Isolation materials according to UL94-VO

Pollution degree 2 (DIN/VDE 0110 / resp. IEC 664)

Climatic classification 55/100/21 (IEC 68 part 1)

Special construction: Therefore, extra low coupling capacity of typical 0.2pF, high **Common Mode Rejection**

Low temperature coefficient of CTR

G = Leadform 10.16 mm; provides creepage distance > 8 mm, for TCET2100/ TCET4100 optional; suffix letter 'G' is not marked on the optocoupler

Coupling System U

13.13.TDA9885T

13.13.1.General Description

The TDA9885 is an alignment-free single standard (without positive modulation) vision and sound IF signal PLL.

13.13.2.Features

- 5 V supply voltage
- Gain controlled wide-band Vision Intermediate Frequency (VIF) amplifier (AC-coupled)
- Multistandard true synchronous demodulation with active carrier regeneration (very linear demodulation, good intermodulation figures, reduced harmonics, excellent pulse response)
- Gated phase detector for L/L accent standard
- Fully integrated VIF Voltage Controlled Oscillator (VCO), alignment-free; frequencies switchable for all negative and positive modulated standards via I²C-bus
- Digital acquisition help, VIF frequencies of 33.4, 33.9, 38.0, 38.9, 45.75 and 58.75 MHz
- 4 MHz reference frequency input [signal from Phase-Locked Loop (PLL) tuning system] or operating as crystal oscillator
- VIF Automatic Gain Control (AGC) detector for gain control, operating as peak sync detector for negative modulated signals and as a peak white detector for positive modulated signals
- Precise fully digital Automatic Frequency Control (AFC) detector with 4-bit digital-to-analog converter; AFC bits via I²C -bus readable
- TakeOver Point (TOP) adjustable via I²C-bus or alternatively with potentiometer
- Fully integrated sound carrier trap for 4.5, 5.5, 6.0 and 6.5 MHz, controlled by FM-PLL oscillator
- Sound IF (SIF) input for single reference Quasi Split Sound (QSS) mode (PLL controlled)

- SIF AGC for gain controlled SIF amplifier; single reference QSS mixer able to operate in high performance single reference QSS mode and in intercarrier mode, switchable via I²C-bus
- AM demodulator without extra reference circuit
- Alignment-free selective FM-PLL demodulator with high linearity and low noise
- I²C-bus control for all functions
- I²C-bus transceiver with pin programmable Module Address (MAD).

13.13.3.Pinning

SYMBOL	PIN	DESCRIPTION
VIF1	1	VIF differential input 1
VIF2	2	VIF differential input 2
OP1	3	output 1 (open-collector)
FMPLL	4	FM-PLL for loop filter
DEEM	5	de-emphasis output for capacitor
AFD	6	AF decoupling input for capacitor
DGND	7	digital ground
AUD	8	audio output
TOP	9	tuner AGC TakeOver Point (TOP)
SDA	10	I ² C-bus data input/output
SCL	11	I ² C-bus clock input
SIOMA	12	sound intercarrier output and MAD select
n.c.	13	not connected
TAGC	14	tuner AGC output
REF	15	4 MHz crystal or reference input
VAGC	16	VIF-AGC for capacitor; note 1
CVBS	17	video output
AGND	18	analog ground
VPLL	19	VIF-PLL for loop filter
V _p	20	supply voltage (+5 V)
AFC	21	AFC output
OP2	22	output 2 (open-collector)
SIF1	23	SIF differential input 1
SIF2	24	SIF differential input 2

13.14.PI5V330

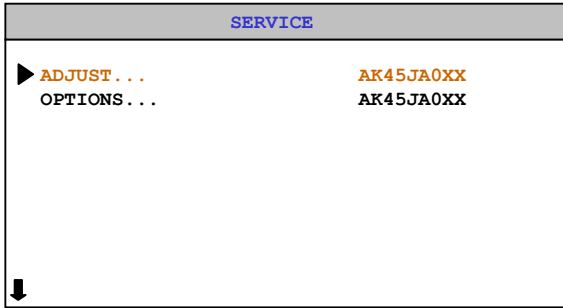
13.14.1.General Description

The PI5V330 is well suited for video applications when switching composite or RGB analog. A picture-in-picture application will be described in this brief. The pixel-rate creates video overlays so two or more pictures can be viewed at the same time. An inexpensive NTSC titler can be implemented by superimposing the output of a character generator on a standard composite video background.

14.AK45 CHASSIS PRODUCTION SERVICE MODE ADJUSTMENTS

14.1.SERVICE MENU

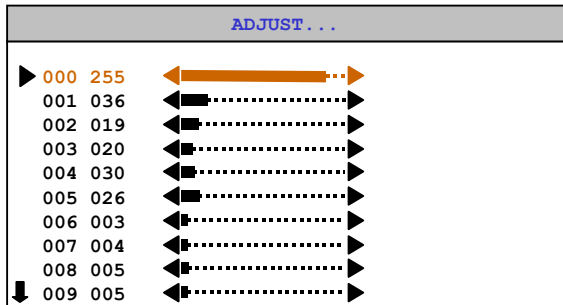
All system, geometry and white balance alignments are performed in production service mode. Before starting the production mode alignments, make sure that all manual adjustments are done correctly. To start production mode alignments enter the MAIN MENU and then press the digits 4, 7, 2 and 5 respectively or press **MUTE** and **INFO** buttons at the same time. The following first menu appears on the screen.



You can select Adjust or Options items by pressing Up/Down buttons. Selected parameter will be highlighted. In order to enter the selected parameter, press Left or Right button. To exit the service menu press MENU button. Entire service menu parameters of AK45 CHASSIS are listed below.

14.2.ADJUST MENU

Select the parameter by pressing up/down buttons. Adjust the parameter by pressing Left/Right buttons. In ADJUST menu, changed values are stored automatically.



White Point Red, White Point Green, White Point Blue:

Not used.

AGC

Apply PAL BG signal, VHF-3 Channel-12 and 60dB μ V signal level. Adjust AGC (Automatic Gain Control) item by pressing Left/Right buttons till the voltage at AGC point (pin1 of the tuner) becomes 3.0 volts.

If PLL negative

Not used.

If PLL positive

Not used.

Y-Delay

Enter a PAL B/G colour and black-white bar test pattern via RF. Adjust Y-Delay for PAL till the colour transients on the colour bar of the pattern become as sharper and colours between transients do not mix with each other as possible.

Y-Delay SECAM

Enter a SECAM B/G colour and black-white bar test pattern via RF. Adjust Y-Delay SECAM till the colour transients on the colour bar of the pattern become as sharper and colours between transients do not mix with each other as possible.

Y-Delay NTSC

Enter an NTSC colour and black-white bar test pattern via RF. Adjust Y-Delay NTSC till the colour transients on the colour bar of the pattern become as sharper and colours between transients do not mix with each other as possible.

Y-Delay other

Not used.

Vertical Position Offset

This value is fixed (127)

Vertical Position Offset

This value is fixed (127)

Horizontal Position Offset

This value is fixed (127)

Horizontal Position Offset

This value is fixed (127)

Vertical Blank Start

This register will be used only at 4:3 tube for 16:9 mode adjustment. It adjusts the vertical blank start position.

Vertical Blank Stop

This register will be used only at 4:3 tube for 16:9 mode adjustment. It adjusts the vertical blank stop position.

Angle

Change Angle by pressing Left/Right buttons till the vertical lines of the crosshatch pattern become completely perpendicular to horizontal lines without any angle of vertical deviation. Check and readjust ANGLE item if the adjustment becomes improper after some other geometric adjustments are done.

Bow

Change Bow by pressing Left/Right buttons till the vertical lines especially ones close to the left and right sides will of equal and symmetrical bending, i.e. they together will neither be towards left side nor right side. Check and readjust BOW item if the adjustment becomes improper after some other geometric adjustments are done.

4:3 Horizontal Blank Start

This register will be used only at 16:9 tube for 4:3 mode adjustment. It adjusts the horizontal blank start position.

4:3 Horizontal Blank Stop

This register will be used only at 16:9 tube for 4:3 mode adjustment. It adjusts the horizontal blank stop position.

EHTV Compensation

It's used to adjust the EHT compensation vertical gain coefficient.

EHTTM Compensation

It's used to adjust the EHT compensation time constant.

EHTEW Compensation

It's used to adjust the EHT compensation east/west gain coefficient.

WDR

The amplitude of R of RGB output can be adjusted with the drive parameter WDR.

WDG

The amplitude of G of RGB output can be adjusted with the drive parameter WDG.

WDB

The amplitude of B of RGB output can be adjusted with the drive parameter WDB.

CR

The DC offset values of R of RGB output can be adjusted with the cutoff parameter CR.

CG

The DC offset values of G of RGB output can be adjusted with the cutoff parameter CG.

CB

The DC offset values of B of RGB output can be adjusted with the cutoff parameter CB.

COR coring level

The amplitude of the correction signal is adjustable. Small noise amplitudes in the correction signal are suppressed by an adjustable coring circuit.

REGULAR VERT_POS (Regular mode Vertical Position)

Enter a PAL B/G circle test pattern via RF. Change Vertical Position till the test pattern is vertically centered. Horizontal line at the center pattern is in equal distance both to upper and lower side of the picture tube. Check and readjust Vertical Position item if the adjustment becomes improper after some other geometric adjustments are done.

It's used to adjust the vertical position of regular mode.

REGULAR VERT_AMPL (Regular mode Vertical Amplitude)

It's used to adjust the vertical amplitude of regular mode.

REGULAR VERT_SCOR (Regular mode Vertical S-Correction)

It's used to adjust the vertical s-correction of regular mode.

REGULAR VERT_SSYM(Regular mode Vertical S Symmetry)

It's used to adjust the vertical s-symetry of regular mode.

REGULAR TRAPEZE (Regular mode Trapeze)

Change Trapezium by pressing Left/Right buttons till vertical lines, especially lines at the sides of the picture frame became parallel to the both sides of picture tube as close as possible. Check and readjust TRPEZ item if the adjustment becomes improper after some other geometric adjustments are done.

It's used to adjust the trapeze of regular mode.

REGULAR CUSHION (Regular mode Cushion)

It's used to adjust the cushion of regular mode.

REGULAR HOR_COR_SYM (Regular mode Horizontal Corner Symmetry)

It's used to adjust the horizontal corners symmetry of regular mode.

REGULAR HOR_CORNER (Regular mode Horizontal Corner)

It's used to adjust the horizontal corners of regular mode.

REGULAR HORZ_POS (Regular mode Horizontal Position)

Enter a PAL B/G circle test pattern via RF. Change Horizontal Position until the picture is horizontally centered. Check and readjust Horizontal Position item if the adjustment becomes improper after some other geometric adjustments are done.

It's used to adjust the horizontal position of regular mode.

REGULAR HORZ_AMPL (Regular mode Horizontal Amplitude)

It's used to adjust the horizontal amplitude of regular mode.

PANORAMIC VERT_POS (Panoramic mode Vertical Position)

It's used to adjust the vertical position of panoramic mode.

PANORAMIC VERT_AMPL (Panoramic mode Vertical Amplitude)

It's used to adjust the vertical amplitude of panoramic mode.

PANORAMIC VERT_SCOR (Panoramic mode Vertical S-Correction)

It's used to adjust the vertical s-correction of panoramic mode.

PANORAMIC VERT_SSYM (Panoramic mode Vertical S-Symmetry)

It's used to adjust the vertical s-symmetry of panoramic mode.

PANORAMIC TRAPEZE (Panoramic mode Trapeze)

It's used to adjust the trapeze of panoramic mode.

PANORAMIC CUSHION (Panoramic mode Cushion)

It's used to adjust the cushion of panoramic mode.

PANORAMIC HOR_COR_SYM (Panoramic mode Horizontal corner symmetry)

It's used to adjust the horizontal corners symmetry of panoramic mode.

PANORAMIC HOR_CORNER (Panoramic mode Horizontal corner)

It's used to adjust the horizontal corners of panoramic mode.

PANORAMIC HORZ_POS (Panoramic mode Horizontal position)

It's used to adjust the horizontal position of panoramic mode.

PANORAMIC HORZ_AMPL (Panoramic mode Horizontal amplitude)

It's used to adjust the horizontal amplitude of panoramic mode.

14:9 ZOOM VERT_POS (14:9 Zoom mode Vertical Position)

It's used to adjust the vertical position of 14:9 zoom mode.

14:9 ZOOM VERT_AMPL (14:9 Zoom mode Vertical Amplitude)

It's used to adjust the vertical amplitude of 14:9 zoom mode.

14:9 ZOOM VERT_SCOR (14:9 Zoom mode Vertical S-Correction)

It's used to adjust the vertical s-correction of 14:9 zoom mode.

14:9 ZOOM VERT_SSYM (14:9 Zoom mode Vertical Symmetry)

It's used to adjust the vertical s-symmetry of 14:9 zoom mode.

14:9 ZOOM TRAPEZE (14:9 Zoom mode Trapeze)

It's used to adjust the trapeze of 14:9 zoom mode.

14:9 ZOOM CUSHION (14:9 Zoom mode Cushion)

It's used to adjust the cushion of 14:9 zoom mode.

14:9 ZOOM HOR_COR_SYM (14:9 Zoom mode Corner Symmetry)

It's used to adjust the horizontal corners symmetry of 14:9 zoom mode.

14:9 ZOOM HOR_CORNER (14:9 Zoom mode Horizontal Corner)

It's used to adjust the horizontal corners of 14:9 zoom mode.

14:9 ZOOM HORZ_POS (14:9 Zoom mode Horizontal Position)

It's used to adjust the horizontal position of 14:9 zoom mode.

14:9 ZOOM HORZ_AMPL (14:9 Zoom mode Horizontal Amplitude)

It's used to adjust the horizontal amplitude of 14:9 zoom mode.

16:9 ZOOM VERT_POS (16:9 Zoom mode Vertical Position)

It's used to adjust the vertical position of 16:9 zoom mode.

16:9 ZOOM VERT_AMPL (16:9 Zoom mode Vertical Amplitude)

It's used to adjust the vertical amplitude of 16:9 zoom mode.

16:9 ZOOM VERT_SCOR (16:9 Zoom mode Vertical S-Correction)

It's used to adjust the vertical s-correction of 16:9 zoom mode.

16:9 ZOOM VERT_SSYM (16:9 Zoom mode Vertical S-Symmetry)

It's used to adjust the vertical s-symmetry of 16:9 zoom mode.

16:9 ZOOM TRAPEZE (16:9 Zoom mode Trapeze)

It's used to adjust the trapeze of 16:9 zoom mode.

16:9 ZOOM CUSHION (16:9 Zoom mode Cushion)

It's used to adjust the cushion of 16:9 zoom mode.

16:9 ZOOM HOR_COR_SYM (16:9 Zoom mode Horizontal corner symmetry)

It's used to adjust the horizontal corners symmetry of 16:9 zoom mode.

16:9 ZOOM HOR_CORNER (16:9 Zoom mode Horizontal corner)

It's used to adjust the horizontal corners of 16:9 zoom mode.

16:9 ZOOM HORZ_POS (16:9 Zoom mode Horizontal position)

It's used to adjust the horizontal position of 16:9 zoom mode.

16:9 ZOOM HORZ_AMPL (16:9 Zoom mode Horizontal amplitude)

It's used to adjust the horizontal amplitude of 16:9 zoom mode.

16:9 ZOOM SUBTITLE VERT_POS (16:9 Zoom Subtitle mode Vertical position)

It's used to adjust the vertical position of 16:9 zoom subtitle mode.

16:9 ZOOM SUBTITLE VERT_AMPL (16:9 Zoom Subtitle mode Vertical amplitude)

It's used to adjust the vertical amplitude of 16:9 zoom subtitle mode.

16:9 ZOOM SUBTITLE VERT_SCOR (16:9 Zoom Subtitle mode Vertical S-Correction)

It's used to adjust the vertical s-correction of 16:9 zoom subtitle mode.

16:9 ZOOM SUBTITLE VERT_SSYM (16:9 Zoom Subtitle mode Vertical Symmetry)

It's used to adjust the vertical s-symmetry of 16:9 zoom subtitle mode.

16:9 ZOOM SUBTITLE TRAPEZE (16:9 Zoom Subtitle mode Trapeze)

It's used to adjust the trapeze of 16:9 zoom subtitle mode.

16:9 ZOOM SUBTITLE CUSHION (16:9 Zoom Subtitle mode Cushion)

It's used to adjust the cushion of 16:9 zoom subtitle mode.

16:9 ZOOM SUBTITLE HOR_COR_SYM (16:9 Zoom Subtitle mode Horizontal Corner Symmetry)

It's used to adjust the horizontal corners symmetry of 16:9 zoom subtitle mode.

16:9 ZOOM SUBTITLE HOR_CORNER (16:9 Zoom Subtitle mode Horizontal corner)

It's used to adjust the horizontal corners of 16:9 zoom subtitle mode.

16:9 ZOOM SUBTITLE HORZ_POS (16:9 Zoom Subtitle mode Horizontal position)

It's used to adjust the horizontal position of 16:9 zoom subtitle mode.

16:9 ZOOM SUBTITLE HORZ_AMPL (16:9 Zoom Subtitle mode Horizontal amplitude)

It's used to adjust the horizontal amplitude of 16:9 zoom subtitle mode.

OSD Position

It's used to adjust the horizontal position of the OSD.

BCLTHR

Beam current threshold

BCLG

Beam current loop gain

ROTATION (TILT)

This adjustment only works when the TV has rotation option. Change TILT by pressing Left/Right buttons to rotate the complete raster clock-wise and counter clock-wise depending on the CRT. Check and readjust TRPEZ item if the adjustment becomes improper after some other geometric adjustments are done.

LSLSA, LSLSB, LSL2, LSLTA, LSLTB (Luma soft limiter)

LSLSA: Luma soft limiter slope A (fixed)

LSLSB: Luma soft limiter slope B (fixed)

LSL2: Luma soft limiter absolute limit (fixed)

LSLTA: Luma soft limiter segment A tilt point (fixed)

LSLTB: Luma soft limiter segment A tilt point (fixed)

REFERENCE WDR RED (NORMAL)

The amplitude of R of RGB output can be adjusted with the drive parameter WDR for the colour temperature of normal mode.

REFERENCE WDR GREEN (NORMAL)

The amplitude of G of RGB output can be adjusted with the drive parameter WDR for the colour temperature of normal mode.

REFERENCE WDR BLUE (NORMAL)

The amplitude of B of RGB output can be adjusted with the drive parameter WDR for the colour temperature of normal mode.

REFERENCE CUTOFF RED

It's fixed.

REFERENCE CUTOFF GREEN

It's fixed.

REFERENCE CUTOFF BLUE

It's fixed.

IBRM

Internal Brightness, the brightness for measurement can be set to measure at higher cutoff current. The measurement brightness is independent of the drive values. It's used to adjust the maximum brightness level.

WDRV

White drive measurement control. It is used to adjust the maximum contrast level.

ACC_SAT (COLOUR OFFSET)

It's used to adjust the max. colour level.

G2 CUTOFF REFERENCE

It's fixed.

G2 WDR REFERENCE

It's fixed.

POFS2 (RGB HORIZONTAL SHIFT)

It's used to adjust the horizontal position of RGB signal.

REFERENCE WDR RED COOL

The amplitude of R of RGB output can be adjusted with the drive parameter WDR for the colour temp of cool mode.

REFERENCE WDR GREEN COOL

The amplitude of G of RGB output can be adjusted with the drive parameter WDR for the colour temp of cool mode.

REFERENCE WDR BLUE COOL

The amplitude of B of RGB output can be adjusted with the drive parameter WDR for the colour temp of cool mode.

REFERENCE WDR RED WARM

The amplitude of R of RGB output can be adjusted with the drive parameter WDR for the colour temp of warm mode.

REFERENCE WDR GREEN WARM

The amplitude of G of RGB output can be adjusted with the drive parameter WDR for the colour temp of cool mode.

REFERENCE WDR BLUE WARM

The amplitude of B of RGB output can be adjusted with the drive parameter WDR for the colour temp of cool mode.

STANDARD MODE BRIGHTNESS

It's used to adjust the brightness value of standard mode.

STANDARD MODE COLOUR

It's used to adjust the colour value of standard mode.

STANDARD MODE CONTRAST

It's used to adjust the contrast value of standard mode.

FULL VERT_POS (16:9 MODE)

It's used to adjust the vertical position of 16:9 mode (full mode).

FULL VERT_AMPL

It's used to adjust the vertical amplitude of 16:9 mode (full mode).

FULL VERT_SCOR

It's used to adjust the vertical s-correction of 16:9 mode (full mode).

FULL VERT_SSYM

It's used to adjust the vertical s-symmetry of 16:9 mode (full mode).

FULL TRAPEZE

It's used to adjust the trapeze of 16:9 mode (full mode).

FULL CUSHION

It's used to adjust the cushion of 16:9 mode (full mode).

FULL HOR_COR_SYM

It's used to adjust the horizontal corners symmetry of 16:9 mode (full mode).

FULL HOR_CORNER

It's used to adjust the horizontal corners of 16:9 mode (full mode).

FULL HORZ_POS

It's used to adjust the horizontal position of 16:9 mode (full mode).

FULL HORZ_AMPL

It's used to adjust the horizontal amplitude of 16:9 mode (full mode).

BRIGHT MODE BRIGHTNESS

It's used to adjust the brightness value of bright mode.

BRIGHT MODE COLOUR

It's used to adjust the colour value of bright mode.

BRIGHT MODE CONTRAST

It's used to adjust the contrast value of bright mode.

SOFT MODE BRIGHTNESS

It's used to adjust the brightness value of soft mode.

SOFT MODE COLOUR

It's used to adjust the colour value of soft mode.

SOFT MODE CONTRAST

It's used to adjust the contrast value of soft mode.

PERSONAL MODE FACTORY SETTING BRIGHTNESS

It's fixed.

PERSONAL MODE FACTORY SETTING COLOUR

It's fixed.

PERSONAL MODE FACTORY SETTING CONTRAST

It's fixed.

SCINC FOR PANAROMIC MODE

scaler1 coefficient, this scaler is compressing the signal.

SCINC1 FOR PANAROMIC MODE

scaler2 coefficient, this scaler is expanding the signal.

VOLUME AFTER APS

It's used to adjust the volume level after APS.

VERTICAL SCROLL

It's used to adjust the step width for scroll function.

14:9 HORIZONTAL START

It's used to adjust the horizontal blank start position for 14:9 mode.

14:9 HORIZONTAL STOP

It's used to adjust the horizontal blank stop position for 14:9 mode.

4:3 RGB HORIZONTAL AMPLITUDE

It's used to adjust the horizontal amplitude in 4:3 mode for RGB signals.

4:3 RGB CUSHION

It's used to adjust the cushion in 4:3 mode for RGB signals.

14:9 RGB HORIZONTAL AMPLITUDE

It's used to adjust the horizontal amplitude in 14:9 mode for RGB signals.

14:9 RGB CUSHION

It's used to adjust the cushion in 14:9 mode for RGB signals.

PANAROMIC RGB HORIZONTAL AMPLITUDE

It's used to adjust the horizontal amplitude in panoramic mode for RGB signals.

16:9 RGB HORIZONTAL AMPLITUDE

It's used to adjust the horizontal amplitude in 16:9 mode for RGB signals.

16:9 SUBTITLE RGB HORIZONTAL AMPLITUDE

It's used to adjust the horizontal amplitude in 16:9 subtitle mode for RGB signals.

FULL RGB HORIZONTAL AMPLITUDE

It's used to adjust the horizontal amplitude in full mode for RGB signals.

TELETEXT HORZ_POS

It's used to adjust the horizontal position of teletext signal.

ADJUST	EXPLANATION	2835	2835W
		MULTI	MULTI - PAL I
000	White Point RED	255	255
001	White Point GREEN	126	036
002	Whit Point BLUE	127	019
003	AGC (Automatic Gain Control)	20 It will be adjusted to below 1V of Max. AGC for each TV.	
004	IF-PLL Negative	030	030
005	IF-PLL Positive	026	026
006	Y-Delay	003	002
007	Y-Delay SECAM	004	003
008	Y-Delay NTSC	005	005
009	Y-Delay OTHER	005	005
010	Vertical Position Offset	127	127
011	Vertical Amplitude Offset	127	127
012	Horizontal Position Offset	127	127
013	Horizontal Amplitude Offset	127	127
014	Vertical Blank Start (It will be used only at 4:3 tube for 16:9 mode adjustment)	149	119
015	Vertical Blank Stop (It will be used only at 4:3 tube for 16:9 mode adjustment)	013	034
016	Angle	132	132
017	Bow	126	131
018	4:3 Horz. Blank Start (It will be used only at 16:9 tube for 4:3 mode adjustment)	021	042
019	4:3 Horz. Blank Stop (It will be used only at 16:9 tube for 4:3 mode adjustment)	140	175
020	EHTV compensation	054	066
021	EHTTM compensation	004	001
022	EHTEW compensation	219	160
023	WDR	VIDEO PROCESSOR ADJUSTS ITSELF.	
024	WDG		
025	WDB		
026	CR		
027	CG		
028	CB		
029	COR coring level	015	031
030	REGULAR VERT_POS (Vertical Position)	128	129
031	REGULAR VERT_AMPL (Vertical Amplitude)	081	055
032	REGULAR VERT_SCOR (Vertical S Correction)	131	129
033	REGULAR VERT_SSYM (Vertical S Symmetry)	139	136
034	REGULAR TRAPEZE	125	127
035	REGULAR CUSHION	162	153
036	REGULAR HOR_COR_SYM(Horizontal Corner Symmetry)	137	132
037	REGULAR HOR_CORNER (Horizontal Corner)	094	113
038	REGULAR HORZ_POS (Horizontal Position)	055	052
039	REGULAR HORZ_AMPL (Horizontal Amplitude)	057	030
040	PANORAMIC VERT_POS	-	129
041	PANORAMIC VERT_AMPL	-	050
042	PANORAMIC VERT_SCOR	-	129
043	PANORAMIC VERT_SSYM	-	139
044	PANORAMIC TRAPEZE	-	125
045	PANORAMIC CUSHION	-	156
046	PANORAMIC HOR_COR_SYM	-	141
047	PANORAMIC HOR_CORNER	-	108
048	PANORAMIC HORZ_POS	-	030

049	PANORAMIC HORZ_AMPL	-	013
050	14:9 ZOOM VERT_POS	-	129
051	14:9 ZOOM VERT_AMPL	-	043
052	14:9 ZOOM VERT_SCOR	-	129
053	14:9 ZOOM VERT_SSYM	-	140
054	14:9 ZOOM TRAPEZE	-	125
055	14:9 ZOOM CUSHION	-	159
056	14:9 ZOOM HOR_COR_SYM	-	141
057	14:9 ZOOM HOR_CORNER	-	110
058	14:9 ZOOM HORZ_POS	-	053
059	14:9 ZOOM HORZ_AMPL	-	032
060	16:9 ZOOM VERT_POS	-	129
061	16:9 ZOOM VERT_AMPL	-	035
062	16:9 ZOOM VERT_SCOR	-	129
063	16:9 ZOOM VERT_SSYM	-	148
064	16:9 ZOOM TRAPEZE	-	125
065	16:9 ZOOM CUSHION	-	164
066	16:9 ZOOM HOR_COR_SYM	-	138
067	16:9 ZOOM HOR_CORNER	-	104
068	16:9 ZOOM HORZ_POS	-	036
069	16:9 ZOOM HORZ_AMPL	-	020
070	16:9 ZOOM SUBTITLE VERT_POS	-	137
071	16:9 ZOOM SUBTITLE VERT_AMPL	-	039
072	16:9 ZOOM SUBTITLE VERT_SCOR	-	124
073	16:9 ZOOM SUBTITLE VERT_SSYM	-	146
074	16:9 ZOOM SUBTITLE TRAPEZE	-	119
075	16:9 ZOOM SUBTITLE CUSHION	-	164
076	16:9 ZOOM SUBTITLE HOR_COR_SYM	-	162
077	16:9 ZOOM SUBTITLE HOR_CORNER	-	081
078	16:9 ZOOM SUBTITLE HORZ_POS	-	035
079	16:9 ZOOM SUBTITLE HORZ_AMPL	-	021
080	OSD Position	217	205
081	BCLTHR Beam current threshold	050	060
082	BCLG Beam current loop gain	008	007
083	ROTATION (TILT)	000	000
084	LSLSA Luma soft limiter	000	003
085	LSLSB Luma soft limiter	000	000
086	LSL2 Luma soft limiter	255	255
087	LSLTA Luma soft limiter	000	000
088	LSLTB Luma soft limiter	000	001
089	REFERENCE WDR RED (NORMAL)	088	092
090	REFERENCE WDR GREEN (NORMAL)	074	083
091	REFERENCE WDR BLUE (NORMAL)	075	082
092	REFERENCE CUTOFF RED	065	055
093	REFERENCE CUTOFF GREEN	068	069
094	REFERENCE CUTOFF BLUE	077	069
095	IBRM	200	215
096	WDRV	075	060
097	ACC_SAT (COLOUR OFFSET)	154	130
098	G2_CUTOFF_REFERENCE	200	220
099	G2_WDR_REFERENCE	090	090
100	POFS2 (RGB HORIZONTAL SHIFT)	053	034
101	REFERENCE WDR RED COOL	090	089
102	REFERENCE WDR GREEN COOL	078	082
103	REFERENCE WDR BLUE COOL	093	090
104	REFERENCE WDR RED WARM	096	104
105	REFERENCE WDR GREEN WARM	070	085
106	REFERENCE WDR BLUE WARM	073	080
107	STANDARD MODE BRIGHTNESS	027	043

108	STANDARD MODE COLOUR	050	047
109	STANDARD MODE CONTRAST	022	029
110	FULL VERT_POS (16:9 MODE)	128	129
111	FULL VERT_AMPL	093	055
112	FULL VERT_SCOR	131	129
113	FULL VERT_SSYM	133	136
114	FULL TRAPEZE	127	126
115	FULL CUSHION	148	153
116	FULL HOR_COR_SYM	137	136
117	FULL HOR_CORNER	109	109
118	FULL HORZ_POS	055	035
119	FULL HORZ_AMPL	057	020
120	BRIGHT MODE BRIGHTNESS	027	043
121	BRIGHT MODE COLOUR	050	050
122	BRIGHT MODE CONTRAST	030	032
123	SOFT MODE BRIGHTNESS	027	043
124	SOFT MODE COLOUR	050	058
125	SOFT MODE CONTRAST	017	020
126	PERSONAL MODE FACTORY SETTING BRIGHTNESS	027	043
127	PERSONAL MODE FACTORY SETTING COLOUR	050	050
128	PERSONAL MODE FACTORY SETTING CONTRAST	030	032
129	SCINC FOR PANORAMIC MODE	032	056
130	SCINC1 FOR PANORAMIC MODE	032	125
131	VOLUME AFTER APS		005
132	VERTICAL SCROLL	005	008
133	14:9 HORIZONTAL START (It will be used only at 16:9 tube for 14:9 mode adjustment)	-	031
134	14:9 HORIZONTAL STOP (It will be used only at 16:9 tube for 14:9 mode adjustment)	-	185
135	4:3 RGB HORIZONTAL AMPLITUDE	055	074
136	4:3 RGB CUSHION	163	150
137	14:9 RGB HORIZONTAL AMPLITUDE	-	055
138	14:9 RGB CUSHION	-	158
139	PANAROMIC RGB HORIZONTAL AMPLITUDE	-	031
140	16:9 RGB HORIZONTAL AMPLITUDE	-	027
141	16:9 SUBTITLE RGB HORIZONTAL AMPLITUDE	-	027
142	FULL RGB HORIZONTAL AMPLITUDE	054	027
143	TELETEXT HORIZONTAL POSITION	101	095

14.3.OPTIONS MENU

Select the parameter by pressing up/down buttons. Adjust the parameter by pressing Left/Right buttons. . In OPTIONS menu, some of the changed parameters are not stored automatically. To store the adjusted parameters, you should turn off and on TV.

OPTIONS...		
▶	000 02	00000010
	001 00	00000000
	002 22	00100010
	003 08	00001000
	004 00	00000000
	005 10	00010000
	006 00	00000000
	007 56	01010110
	008 39	00111001
↓	009 0F	00001111

Option 0. Video Processor Crystal Indication

B7: x = x
B6: x = x
B5: x = x
B4: x = x
B3: x = x
B2: x = x
B1: Xa = note1 (Crystal indication)
B0: Xb = note1 (Crystal indication)

note 1:

Xa,Xb

0,1 : Pal M, Pal N, NTSC M

Pin 34 : 3.58 (1, 2 or 3 crystals)

Pin 35 : No crystal

1,0 : Pal BG, Pal DK, Pal I/I+, Secam BG, Secam DK, Secam L/L', Secam K1

Pin 34 : No crystal

Pin 35 : 4.43 (1 crystal)

1,1 : Pal BG, Pal DK, Pal I/I+, Secam BG, Secam DK, Secam L/L', Secam K1, Pal M, Pal N, Ntsc M

Pin 34 : 3.58 (1, 2 or 3 crystals)

Pin 35 : 4.43 (1 crystal)

Option 1. (0x01) Video Processor Decoder Mode Register

B7: x = x
B6: x = x
B5: x = x
B4: x = x
B3: x = x
B2: x = x
B1: x = x
B0: x = x

Option 2. (0x18) Video Processor Blanking Control

B7: SWF = 1 (Subwoofer item at menu)
B6: Vsd = 0 (Vertical scan disable)
B5: x = x

B4: x = x
 B3: x = x
 B2: x = x
 B1: LUMA = 1 Luma Soft Limiter Enabled
 B0: BB = 1 Blue Background Option

Option 3. (0x19) Video Processor Cathode Drive Level

B7: x = x
 B6: x = x
 B5: x = x
 B4: x = x
 B3: x = x
 B2: x = x
 B1: x = x
 B0: country = note 0

Note 0: choice for others country option

1 : BG
 0 : DK

Option 4.

B7: x = x
 B6: x = x
 B5: x = x
 B4: x = x
 B3: x = x
 B2: x = x
 B1: x = x
 B0: x = x

Option 5. CTI Available, Mono AVL

B7: x = x
 B6: x = x
 B5: x = x
 B4: x = x
 B3: x = x
 B2: x = x
 B1: x = x
 B0: x = x

Option 6.

B7: = TEXT LANGUAGE 3
 B6: = TEXT LANGUAGE 2
 B5: = TEXT LANGUAGE 1
 B4: x = x
 B3: x = x
 B2: x = x
 B1: x = x
 B0: x = x

Option 7. OPTIONHOTELACTIVE, PLL_VST, PIP Zoom Mode, PIP Position

B7: x = x
 B6: x = x
 B5: F = note 1
 B4: x = x
 B3: x = x
 B2: PZM = x
 B1: AV2 = 1 AV2 Output enabled
 B0: x = x

note 1:

F :Frequency Mode

1: = Frequency Menu Item available

0: = Frequency Menu Item not available

Option 8. IF Frequency

B7: x = x

B6: x = x

B5: IfI = 0 note 3

B4: IfD = 0 note 4

B3: IfM = note 5

B2: Aps = note 6

B1: Hp = note 7

B0: Hue = note 8

note 3:

IfI

1 = IF I 39.5 MHz Great Britain I , Only UHF Tuner

0 = IF I 38.9 MHz Ireland I+, Standard Tuner

note 4:

IfD

1 = IF DK 38.0 MHz

0 = IF DK 38.9 MHz

note 5:

IfM

1 = IF M,N 45.75 MHz S&N American Models , Tuner UV1336 (Only Pal M/N, Ntsc M)

0 = IF M,N 38.9 MHz Euro M,N Models , Standard Tuner

Note 6:

Aps (Only for PLL)

0 = A.P.S. done

1 = A.P.S. set

note 7:

Hp : Headphone available

0 = No headphone

1 = Headphone available

note 8:

Hue : Hue Available

0 = No Hue

1 = Hue available

Option 9. Standard Available

B7: NM = note 1

B6: PN = note 1

B5: PM = note 1

B4: K1 = note 1

B3: L = note 1

B2: I = note 1

B1: DK = note 1

B0: BG = note 1

note 1:

0 = Standard not supported

1 = Standard available

Option 10. Scart, Combfilter, Teletext, Language

B7: x = x
B6: RGB = note 2
B5: FAV =
B4: AV2S =
B3: FSVHS = note 3
B2: BAV = note 4
B1: Sc2 = note 5
B0: BSVHS = note 6

note 2 :

RGB = RGB Menu Item active/inactive

0 = RGB Menu Item inactive
1 = RGB Menu Item active

note 3:

0 = Front S-VHS not supported
1 = Front S-VHS available

note 4:

0 = Back AV (AV-3) not supported
1 = Back AV (AV-3) available

note 5:

0 = Scart 2 not supported
1 = Scart 2 available

note 6:

0 = Back SVHS not supported
1 = Back SVHS available

Option 11. PLL Tuner Control 1 Byte

PLL tuner control 1 byte

		b7	b6	b5	b4	b3	b2	b1	b0
Philips	UV1316T MK3	1	0	0	0	1	1	1	0
Philips	UV1316MK2	1	0	0	0	1	1	1	0
Alps	TELE9X062A	1	0	0	0	1	1	1	0
Samsung	TEXX2949PG28A	1	0	0	0	1	1	1	0
Siel	PT060	1	0	0	0	1	1	1	0
Temic	5001PH5-3X0003	1	0	0	0	1	1	1	0
Thomson	CTT5020	1	0	0	0	1	1	1	0

Option 12. PLL Tuner Control 2 Low Byte

PLL tuner control 2 low byte

		b7	b6	b5	b4	b3	b2	b1	b0
Philips	UV1316T MK3	0	0	0	0	0	0	0	1
Philips	UV1316MK2	1	0	1	0	0	0	0	1
Alps	TELE9X062A	0	0	0	0	0	0	0	1
Samsung	TEXX2949PG28A	0	0	0	0	0	0	0	1
Siel	PT060	0	1	1	0	0	0	0	0
Temic	5001PH5-3X0003	0	0	0	0	0	0	0	1
Thomson	CTT5020	0	0	0	0	0	0	1	1

Option 13. PLL Tuner Control 2 Mid Byte

		b7	b6	b5	b4	b3	b2	b1	b0
Philips	UV1316T MK3	0	0	0	0	0	0	1	0
Philips	UV1316MK2	1	0	0	1	0	0	1	0
Alps	TELE9X062A	0	0	0	0	0	0	1	0
Samsung	TEXX2949PG28A	0	0	0	0	0	0	1	0
Siel	PT060	1	1	0	1	0	0	0	0
Temic	5001PH5-3X0003	0	0	0	0	0	1	0	0
Thomson	CTT5020	0	0	0	0	0	1	1	0

Option 14. PLL Tuner Control 2 High Byte

		b7	b6	b5	b4	b3	b2	b1	b0
Philips	UV1316T MK3	0	0	0	0	0	1	0	0
Philips	UV1316MK2	0	0	1	1	0	1	0	0
Alps	TELE9X062A	0	0	0	0	1	0	0	0
Samsung	TEXX2949PG28A	0	0	0	0	1	0	0	0
Siel	PT060	0	0	1	1	0	0	0	0
Temic	5001PH5-3X0003	0	0	0	0	0	0	0	1
Thomson	CTT5020	1	0	0	0	0	1	0	1

Option 15. PLL Tuner VHF LOW – VHF HIGH Crossover Low Byte

		b7	b6	b5	b4	b3	b2	b1	b0
Philips	UV1316T MK3	0	0	1	0	0	0	0	0
Philips	UV1316MK2	0	0	0	0	1	0	1	0
Alps	TELE9X062A	0	0	0	0	0	0	0	0
Samsung	TEXX2949PG28A	0	0	0	0	1	0	0	0
Siel	PT060	0	0	0	0	1	0	1	0
Temic	5001PH5-3X0003	0	0	0	0	0	0	0	0
Thomson	CTT5020	1	0	1	0	1	0	1	0

(0A hex)

(AA hex)

Option 16. PLL Tuner VHF LOW – VHF HIGH Crossover High Byte

PLL tuner VHF LOW - VHF HIGH crossover high byte

		b7	b6	b5	b4	b3	b2	b1	b0
Philips	UV1316T MK3	0	0	0	0	1	1	0	0
Philips	UV1316MK2	0	0	0	0	1	1	0	0
Alps	TELE9X062A	0	0	0	0	0	0	0	0
Samsung	TEXX2949PG28A	0	0	0	0	1	1	0	1
Siel	PT060	0	0	0	0	1	1	0	1
Temic	5001PH5-3X0003	0	0	0	0	0	0	0	0
Thomson	CTT5020	0	0	0	0	1	0	0	1

(0C hex)

(09 hex)

Option 17. PLL Tuner VHF HIGH – UHF Crossover Low Byte

		b7	b6	b5	b4	b3	b2	b1	b0
Philips	UV1316T MK3	0	0	0	0	0	0	1	0
Philips	UV1316MK2	1	1	1	0	0	0	1	0
Alps	TELE9X062A	0	0	0	0	0	0	0	0
Samsung	TEXX2949PG28A	1	0	1	0	0	0	1	0
Siel	PT060	1	0	1	0	0	1	0	0
Temic	5001PH5-3X0003	0	0	0	0	0	0	0	0
Thomson	CTT5020	1	0	1	0	0	0	1	0

(E2 hex)

(A2 hex)

Option 18. PLL Tuner VHF HIGH – UHF Crossover High Byte

		b7	b6	b5	b4	b3	b2	b1	b0
Philips	UV1316T MK3	0	0	0	1	1	1	1	0
Philips	UV1316MK2	0	0	0	1	1	1	1	0
Alps	TELE9X062A	0	0	0	0	0	0	0	0
Samsung	TEXX2949PG28A	0	0	0	1	1	1	1	0
Siel	PT060	0	0	0	1	1	1	1	0

(1D hex)

Temic	5001PH5-3X0003	0	0	0	0	0	0	0	0	
Thomson	CTT5020	0	0	0	1	1	0	1	1	(1B hex)

Option 19. PIP PLL Tuner Control 1 Byte

		b7	b6	b5	b4	b3	b2	b1	b0	
Philips	UV1316MK2	1	0	0	0	1	1	1	0	
Alps	TELE9X062A	1	0	0	0	1	1	1	0	
Samsung	TEXX2949PG28A	1	0	0	0	1	1	1	0	
Siel	PT060	1	0	0	0	1	1	1	0	
Temic	5001PH5-3X0003	1	0	0	0	1	1	1	0	
Thomson	CTT5020	1	0	0	0	1	1	1	0	

Option 20. PIP PLL Tuner Control 2 Low Byte

		b7	b6	b5	b4	b3	b2	b1	b0	
Philips	UV1316MK2	1	0	1	0	0	0	0	1	
Alps	TELE9X062A	0	0	0	0	0	0	0	1	
Samsung	TEXX2949PG28A	0	0	0	0	0	0	0	1	
Siel	PT060	0	1	1	0	0	0	0	0	
Temic	5001PH5-3X0003	0	0	0	0	0	0	1	0	
Thomson	CTT5020	0	0	0	0	0	0	1	1	

Option 21. PIP PLL Tuner Control 2 Mid Byte

		b7	b6	b5	b4	b3	b2	b1	b0	
Philips	UV1316MK2	1	0	0	1	0	0	1	0	
Alps	TELE9X062A	0	0	0	0	0	0	1	0	
Samsung	TEXX2949PG28A	0	0	0	0	0	0	1	0	
Siel	PT060	1	1	0	1	0	0	0	0	
Temic	5001PH5-3X0003	0	0	0	0	0	1	0	0	
Thomson	CTT5020	0	0	0	0	0	1	1	0	

Option 22. PIP PLL Tuner Control 2 High Byte

		b7	b6	b5	b4	b3	b2	b1	b0	
Philips	UV1316MK2	0	0	1	1	0	1	0	0	
Alps	TELE9X062A	0	0	0	0	1	0	0	0	
Samsung	TEXX2949PG28A	0	0	0	0	1	0	0	0	
Siel	PT060	0	0	1	1	0	0	0	0	
Temic	5001PH5-3X0003	0	0	0	0	0	0	0	1	
Thomson	CTT5020	1	0	0	0	0	1	0	1	

Option 23. PIP PLL Tuner VHF LOW – VHF HIGH Crossover Low Byte

		b7	b6	b5	b4	b3	b2	b1	b0	
Philips	UV1316MK2	0	0	0	0	1	0	1	0	(0A hex)
Alps	TELE9X062A	0	0	0	0	0	0	0	0	
Samsung	TEXX2949PG28A	0	0	0	0	1	0	0	0	
Siel	PT060	0	0	0	0	1	0	1	0	
Temic	5001PH5-3X0003	0	0	0	0	0	0	0	0	
Thomson	CTT5020	1	0	1	0	1	0	1	0	(AA hex)

Option 24. PIP PLL Tuner VHF LOW – VHF HIGH Crossover High Byte

		b7	b6	b5	b4	b3	b2	b1	b0	
Philips	UV1316MK2	0	0	0	0	1	1	0	0	(0C hex)
Alps	TELE9X062A	0	0	0	0	0	0	0	0	
Samsung	TEXX2949PG28A	0	0	0	0	1	1	0	1	
Siel	PT060	0	0	0	0	1	1	0	1	
Temic	5001PH5-3X0003	0	0	0	0	0	0	0	0	
Thomson	CTT5020	0	0	0	0	1	0	0	1	(09 hex)

Option 25. PIP PLL Tuner VHF HIGH – UHF Crossover Low Byte

		b7	b6	b5	b4	b3	b2	b1	b0	
Philips	UV1316MK2	1	1	1	0	0	0	1	0	(E2 hex)
Alps	TELE9X062A	0	0	0	0	0	0	0	0	
Samsung	TEXX2949PG28A	1	0	1	0	0	0	1	0	
Siel	PT060	1	0	1	0	0	1	0	0	
Temic	5001PH5-3X0003	0	0	0	0	0	0	0	0	
Thomson	CTT5020	1	0	1	0	0	0	1	0	(A2 hex)

Option 26. PIP PLL Tuner VHF HIGH – UHF Crossover High Byte

		b7	b6	b5	b4	b3	b2	b1	b0	
Philips	UV1316MK2	0	0	0	1	1	1	1	0	(1D hex)
Alps	TELE9X062A	0	0	0	0	0	0	0	0	
Samsung	TEXX2949PG28A	0	0	0	1	1	1	1	0	
Siel	PT060	0	0	0	1	1	1	1	0	
Temic	5001PH5-3X0003	0	0	0	0	0	0	0	0	
Thomson	CTT5020	0	0	0	1	1	0	1	1	(1B hex)

Option 27. Language Available 1

B7: L7 = DANISH
 B6: L6 = SWEDISH
 B5: L5 = ITALIAN
 B4: L4 = PORTUGUESE
 B3: L3 = SPANISH
 B2: L2 = FRENCH
 B1: L1 = GERMAN
 B0: L0 = ENGLISH

1: Language available
 0: Language not available

Option 28. Language Available 2

B7: L15 = CROATIAN
 B6: L14 = POLISH
 B5: L13 = SLOVAK
 B4: L12 = CZECH
 B3: L11 = HUNGARY
 B2: L10 = GREEK
 B1: L9 = TURKEY
 B0: L8 = NORWEGIAN

1: Language available
 0: Language not available

Option 29. Language Available 3 and Zoom Mode Available

B7: ZSP = 16:9 ZOOM SUBTITLE MODE
 B6: ZSB = 16:9 ZOOM MODE
 B5: ZCN = 14:9 ZOOM MODE
 B4: PNM = 1 (Panaromic zoom mode)
 B3: Tub = note 2
 B2: Z.Def = note 3
 B1: PMK = note 1
 B0:

1: Available
 0: Not available

note 1 :

PMK : Picture mode key
 0 : Not available picture mode key from RC
 1 : available picture mode key from RC

note 2:

Tub : Tube size

- 0 = 16:9 Tube size
- 1 = 4:3 Tube size

note 3:

Z.Def : Zoom Default Mode

- 0 = 16:9 mode default
- 1 = 4:3 mode default

Option 30. Country

- B7: C4 = note 1
- B6: C3 = note 1
- B5: C2 = note 1
- B4: C1 = note 1
- B3: C0 = note 1
- B2: x = x
- B1: x = x
- B0: x = x

note 1:

C5,C4,C3,C2,C1,C0 = Country

- 0, 0, 0,0,0 = OTHER, Not allowed
- 0, 0, 0,0,1 = D, Germany
- 0, 0, 0,1,0 = A,
- 0, 0, 0,1,1 = CH,
- 0, 0, 1,0,0 = I,
- 0, 0, 1,0,1 = F,
- 0, 0, 1,1,0 = RSM,
- 0, 0, 1,1,1 = B,
- 0, 1, 0,0,0 = DK,
- 0, 1, 0,0,1 = S,
- 0, 1, 0,1,0 = N,
- 0, 1,0,1,1 = FIN,
- 0, 1,1,0,0 = GB,
- 0, 1,1,0,1 = IRL,
- 0, 1,1,1,0 = IS,
- 0, 1,1,1,1 = NL,
- 1, 0,0,0,0 = E,
- 1, 0,0,0,1 = P,
- 1, 0,0,1,0 = PL,
- 1, 0,0,1,1 = CZ,
- 1, 0,1,0,0 = H,
- 1, 0,1,0,1 = HR,
- 1, 0,1,1,0 = GR,
- 1, 0,1,1,1 = TR

Option 31. Prescaler MSP FM (AVL=OFF)

	b7 b6 b5 b4 b3 b2 b1 b0
prescaler MSP FM (AVL = OFF)	0 0 0 0 1 0 0 0

	b7 b6 b5 b4 b3 b2 b1 b0
prescaler MSP FM (AVL = OFF)	0 0 0 0 1 0 0 0 (if virtual dolby option is available)

Option 32. Prescaler MSP NICAM (AVL=OFF)

	b7 b6 b5 b4 b3 b2 b1 b0
prescaler MSP NICAM (AVL = OFF)	0 0 0 1 1 1 1 1

prescaler MSP NICAM (AVL = OFF) b7 b6 b5 b4 b3 b2 b1 b0
0 0 0 1 1 1 1 1 (if virtual dolby option is available)

Option 33. Prescaler MSP SCART (AVL=OFF)

prescaler MSP SCART (AVL = OFF) b7 b6 b5 b4 b3 b2 b1 b0
0 0 0 0 1 1 0 0

prescaler MSP SCART (AVL = OFF) b7 b6 b5 b4 b3 b2 b1 b0
0 0 0 1 1 0 0 1 (if virtual dolby option is available)

Option 34. Prescaler MSP I2S (AVL=OFF)

prescaler MSP I2S (AVL = OFF) b7 b6 b5 b4 b3 b2 b1 b0
(if virtual dolby option is available) not defined yet

Option 35. Not used

- B7: x = note 7
- B6: x = note 6
- B5: x = note 5
- B4: x = note 4
- B3: AV2S = Scart2 SVHS
- B2: Macro = Macrovision
- B1: DP = Dolby Prologic
- B0: VD = Virtual Dolby

Option 36. Not used

- B7: x = note 7
- B6: TAT = 1 Tilt and trapez enabled
- B5: SWF = 1 Subwoofer enabled
- B4: VLO = 1 Variable line out
- B3: VBUS = 1 Vestelbus enabled
- B2: x = x
- B1: DVD = 1 DVD enabled
- B0: DVB = 1 DVB enabled

Option 37. Reserved for USA

Option 38. TV Teletext Mode Selection, Child Lock, Equalizer Country

- B7: VCR = note 7
- B6: C = note 6
- B5: LM = note 5
- B4: EQ = note 4
- B3: x = x
- B2: CL = note 2
- B1: T1 = note 1
- B0: T0 = note 1

note 1:

- Teletext selection
T1, T0:
0,0 = No TV Text
0,1 = Simple TV Text (One page)
1,1 = Fasttext/Toptext TV Text (Eight pages)

note 2 :

- CL = Child Lock
- 0 = Off
- 1 = On (Active)

note 3 :

RGB = RGB Menu Item active/inactive
0 = RGB Menu Item inactive
1 = RGB Menu Item active

note 4 :

EQ = Equalizer available
0 = Equalizer not available
1 = Equalizer available

note 5 :

LM = List Mode available
0 = List Mode not available
1 = List Mode available

note 6 :

C = Country Line available / Aps available or not
0 = Country Line not available / Aps not available
1 = Country Line available / Aps available

note 7 :

VCR = VCR Menu Item available / not available
0 = VCR Menu Item not available
1 = VCR Menu Item available

Option 39. Personal Preference Equalizer Band 1

EQUALIZER BAND 1 b7 b6 b5 b4 b3 b2 b1 b0
 0 0 0 0 0 1 1 0

Option 40. Personal Preference Equalizer Band 2

EQUALIZER BAND 2 b7 b6 b5 b4 b3 b2 b1 b0
 0 0 0 0 0 1 1 0

Option 41. Personal Preference Equalizer Band 3

EQUALIZER BAND 3 b7 b6 b5 b4 b3 b2 b1 b0
 0 0 0 0 0 1 1 0

Option 42. Personal Preference Equalizer Band 4

EQUALIZER BAND 4 b7 b6 b5 b4 b3 b2 b1 b0
 0 0 0 0 0 1 1 0

Option 43. Personal Preference Equalizer Band 5

EQUALIZER BAND 5 b7 b6 b5 b4 b3 b2 b1 b0
 0 0 0 0 0 1 1 0

Option 44. Sound Effect (Standard; Music; Speech; Jazz; Pp)

SOUND EFFECT b7 b6 b5 b4 b3 b2 b1 b0
 0 0 0 0 0 1 1 0

Option 45. Volume Offset Left

VOLUME OFFSET LEFT b7 b6 b5 b4 b3 b2 b1 b0
 0 0 0 0 0 1 1 0

Option 46. Volume Offset Right

VOLUME OFFSET RIGHT b7 b6 b5 b4 b3 b2 b1 b0
 0 0 0 0 0 1 1 0

Option 47. Volume Offset Center

	b7 b6 b5 b4 b3 b2 b1 b0
VOLUME OFFSET CENTER	0 0 0 0 0 1 1 0

Option 48. Volume Offset Rear

	b7 b6 b5 b4 b3 b2 b1 b0
VOLUME OFFSET REAR	0 0 0 0 0 1 1 0

Option 49. Surround Delay

	b7 b6 b5 b4 b3 b2 b1 b0
SURROUND DELAY	0 0 0 0 0 0 0 1

Option 50. FM Prescale

	b7 b6 b5 b4 b3 b2 b1 b0
FM PRESCALE for Stereo	0 0 0 0 1 1 0 0

	b7 b6 b5 b4 b3 b2 b1 b0
FM PRESCALE for Dolby	0 0 0 0 1 0 0 1

Note: if virtual dolby is available, this option is not used.

Option 51. NICAM Prescale

	b7 b6 b5 b4 b3 b2 b1 b0
NICAM Prescale for Stereo	0 0 1 0 1 1 0 1

	b7 b6 b5 b4 b3 b2 b1 b0
3D Panorama	0 0 0 0 1 0 1 1

	b7 b6 b5 b4 b3 b2 b1 b0
NICAM Prescale for Dolby	0 0 0 0 1 1 1 0

Note: if virtual dolby is available, this option is not used.

Option 52. Scart Input Prescale

	b7 b6 b5 b4 b3 b2 b1 b0
Scart Input Prescale for Stereo	0 0 0 0 1 0 0 0

	b7 b6 b5 b4 b3 b2 b1 b0
Scart Input Prescale for Dolby	0 0 0 0 1 1 1 1

	b7 b6 b5 b4 b3 b2 b1 b0
prescaler MSP Scart (AVL = OFF)	0 0 0 1 1 0 0 1 (if virtual dolby option is available)

Note: if virtual dolby is available, this option is not used.

Option 53. I2S Prescale

	b7 b6 b5 b4 b3 b2 b1 b0
I2S Prescale for Stereo	0 0 0 0 0 1 1 0

	b7 b6 b5 b4 b3 b2 b1 b0
I2S Prescale for Dolby	0 0 0 0 0 1 1 0

Note: if virtual dolby is available, this option is not used.

Option 54. Scart Output Prescale

	b7 b6 b5 b4 b3 b2 b1 b0
Scart Output Prescale	0 1 1 1 1 1 1 1

Option 55. Speaker Setup

	b7	b6	b5	b4	b3	b2	b1	b0
Speaker Setup (L/R, L/C/R, L/R/S, L/C/R/S)	0	0	0	0	0	0	0	0

Option 56. Audio Options Available Or Not

Attention: All bits on the Option 56 must be the "0" for MONO TV SETS

B7: nicam	=	note 7
B6: ASD	=	note 6
B5: VRS	=	note 5
B4: CRM	=	note 4
B3: ...	=	x
B2: LBE	=	note 2
B1: Spa	=	note 1
B0: Avl	=	note 0

note 7 :

nicam	=	nicam available
0	=	nicam not available
1	=	nicam available

note 6 :

ASD	=	Auto Sound Detection available/not available
0	=	Auto Sound Detection not available
1	=	Auto Sound Detection available

note 5 :

VRS	=	Virtual Surround
0	=	VRS not available
1	=	VRS available

note 4 :

CRM	=	CARRIER MUTE OFF/ON
0	=	Sound carrier mute is ON in the Stereo Sound IC
1	=	Sound carrier mute is OFF in the Stereo Sound IC (i.e. option available)

note 2 :

LBE	=	LBE (Dynamic Bass)
0	=	LBE not available
1	=	LBE available

note 1 :

Spa	=	Spatial Effect available
0	=	Spatial Effect not available
1	=	Spatial Effect available

note 0 :

Avl	=	Automatic volume level available on the Menu
0	=	Automatic volume level not available
1	=	Automatic volume level available

Option 57. Stereo Threshold

B7: b7	=	note 1	Remark :
B6: b6	=	note 1	
B5: b5	=	note 1	-Threshold for all FM A2 signals to switch from MONO to STEREO.
B4: b4	=	note 1	-For first check after programme change half value is changed (0Ch) 19h/2
B3: b3	=	note 1	-For switching from STEREO back to MONO: 19h/4 *3
B2: b2	=	note 1	
B1: b1	=	note 1	
B0: b0	=	note 1	

note 1 :

b7 b6 b5 b4 b3 b2 b1 b0

MSP Stereo/Mono Threshold 0 0 0 1 1 0 0 1

Option 58. MSP Audio Flags

- B7: b7 = x
- B6: b6 = x
- B5: b5 = x
- B4: Trs = note 1
- B3: Trb = note 1
- B2: Bbe = note 1
- B1: Spa = note 1
- B0: Avl = note 1

note 1 :

Defines whether the feature is toggled ON or OFF in the menu and stored.

- 0 : OFF
- 1 : ON

Option 59. NICAM Threshold

b7 b6 b5 b4 b3 b2 b1 b0

MSP NICAM Threshold 0 1 1 0 0 1 0 0

Option 60. Power Delay Time

- B7: NZ = x
- B6: HM = x
- B5: L5 = note 3
- B4: L4 = note 3
- B3: L3 = note 3
- B2: L2 = note 3
- B1: L1 = note 3
- B0: L0 = note 3

note 3:

L7 L6 L5 L4 L3 L2 L1 L0

Default Value : x x 1 1 0 0 0 0

1000 MSEC = 1SN

Number	L7L6L5L4L3L2L1L0	=	Delay		Number	L7L6L5L4L3L2L1L0	=	Delay
0	00000000	=	4 sec		32	00100000	=	12 sec
1	00000001	=	4,25 sec		33	00100001	=	12,25 sec
2	00000010	=	4,5 sec		34	00100010	=	12,5 sec
3	00000011	=	4,75 sec		35	00100011	=	12,75 sec
4	00000100	=	5 Sec		36	00100100	=	13 sec
5	00000101	=	5,25 Sec		37	00100101	=	13,25 sec
6	00000110	=	5,5 Sec		38	00100110	=	13,5 sec
7	00000111	=	5,75 Sec		39	00100111	=	13,75 sec
8	00001000	=	6 sec		40	00101000	=	14 sec
9	00001001	=	6,25 sec		41	00101001	=	14,25 sec
10	00001010	=	6,5 sec		42	00101010	=	14,5 sec
11	00001011	=	6,75 sec		43	00101011	=	14,75 sec
12	00001100	=	7 sec		44	00101100	=	15 sec
13	00001101	=	7,25 sec		45	00101101	=	15,25 sec
14	00001110	=	7,5 sec		46	00101110	=	15,5 sec
15	00001111	=	7,75 sec		47	00101111	=	15,75 sec
16	00010000	=	8 sec		48	00110000	=	16 sec
17	00010001	=	8,25 sec		49	00110001	=	16,25 sec
18	00010010	=	8,5 sec		50	00110010	=	16,5 sec
19	00010011	=	8,75 sec		51	00110011	=	16,75 sec

20	00010100	=	9	sec
21	00010101	=	9,25	sec
22	00010110	=	9,5	sec
23	00010111	=	9,75	sec
24	00011000	=	10	sec
25	00011001	=	10,25	sec
26	00011010	=	10,5	sec
27	00011011	=	10,75	sec
28	00011100	=	12	sec
29	00011101	=	12,25	sec
30	00011110	=	12,5	sec
31	00011111	=	12,75	sec

52	00110100	=	17	sec
53	00110101	=	17,25	sec
54	00110110	=	17,5	sec
55	00110111	=	17,75	sec
56	00111000	=	18	sec
57	00111001	=	18,25	sec
58	00111010	=	18,5	sec
59	00111011	=	18,75	sec
60	00111100	=	19	sec
61	00111101	=	19,25	sec
62	00111110	=	19,5	sec
63	00111111	=	19,75	sec

	76543210
0	00000000
1	00000001
2	00000010
3	00000011
4	00000100
5	00000101
6	00000110
7	00000111
8	00001000
9	00001001
10	00001010
11	00001011
12	00001100
13	00001101
14	00001110
15	00001111
16	00010000
17	00010001
18	00010010
19	00010011
20	00010100
21	00010101
22	00010110
23	00010111
24	00011000
25	00011001
26	00011010
27	00011011
28	00011100
29	00011101
30	00011110
31	00011111

Bit Positions		76543210
	32	00100000
	33	00100001
	34	00100010
	35	00100011
	36	00100100
	37	00100101
	38	00100110
	39	00100111
	40	00101000
	41	00101001
	42	00101010
	43	00101011
	44	00101100
	45	00101101
	46	00101110
	47	00101111
Colour Code	48	00110000
	49	00110001
	50	00110010
	51	00110011
	52	00110100
	53	00110101
	54	00110110
	55	00110111
	56	00111000
	57	00111001
	58	00111010
	59	00111011
	60	00111100
	61	00111101
	62	00111110
	63	00111111

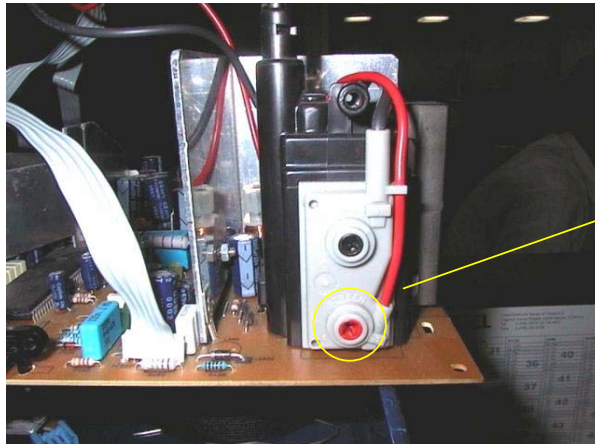
14.4.OPTION TABLE RECOMMENDED VALUES

X listed in the option can be 0 or 1

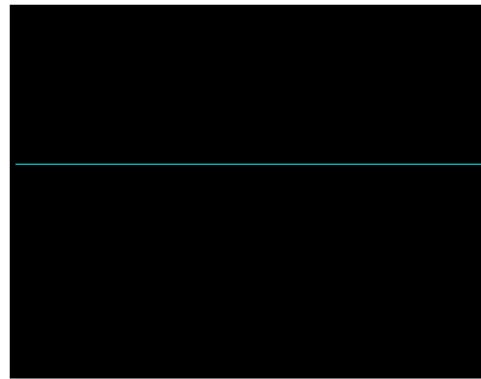
OPTION	2835 MULTI	2835W MULTI	2835W PAL I
000	X2 XXXXXX10	X2 XXXXXX10	X2 XXXXXX10
001	XX XXXXXXXX	XX XXXXXXXX	XX XXXXXXXX
002	23 001XXX11	23 001XXX11	23 001XXX11
003	XX XXXXXXXX0	XX XXXXXXXX0	XX XXXXXXXX0
004	XX XXXXXXXX	XX XXXXXXXX	XX XXXXXXXX
005	XX XXXXXXXX	XX XXXXXXXX	XX XXXXXXXX
006	XX XXXXXXXX	XX XXXXXXXX	XX XXXXXXXX
007	XX XX0XXX1X	XX XX0XXX1X	XX XX0XXX1X
008	A1 11000001	01 00000001	01 00000001
009	0B 00001111	0B 00001111	04 00001111
010	X2 XXXXX011	X7 XXXXX111	X7 XXXXX111
011	8E 10001110	8E 10001110	8E 10001110
012	03 00000011	03 00000011	03 00000011
013	06 00000110	06 00000110	06 00000110
014	15 10000101	15 10000101	15 10000101
015	AA 10101010	AA 10101010	AA 10101010
016	09 00001001	09 00001001	09 00001001
017	A2 10100010	A2 10100010	A2 10100010
018	1B 00011011	1B 00011011	1B 00011011
019	XX XXXXXXXX	XX XXXXXXXX	XX XXXXXXXX
020	XX XXXXXXXX	XX XXXXXXXX	XX XXXXXXXX
021	XX XXXXXXXX	XX XXXXXXXX	XX XXXXXXXX
022	XX XXXXXXXX	XX XXXXXXXX	XX XXXXXXXX
023	XX XXXXXXXX	XX XXXXXXXX	XX XXXXXXXX
024	XX XXXXXXXX	XX XXXXXXXX	XX XXXXXXXX
025	XX XXXXXXXX	XX XXXXXXXX	XX XXXXXXXX
026	XX XXXXXXXX	XX XXXXXXXX	XX XXXXXXXX
027	FF 11111111	FF 11111111	FF 11111111
028	FF 11111111	FF 11111111	FF 11111111
029	FF 11111111	EF 11101111	EF 11101111
030	XX XXXXXXXX	XX XXXXXXXX	XX XXXXXXXX
031	0F 00001111	0F 00001111	0F 00001111
032	23 00100011	23 00100011	23 00100011
033	0E 00001110	0E 00001110	0E 00001110
034	XX XXXXXXXX	XX XXXXXXXX	XX XXXXXXXX
035	XX XXXXXXXX	XX XXXXXXXX	XX XXXXXXXX
036	X4 XXXXX1XX	X4 XXXXX1XX	X4 XXXXX1XX
037	XX XXXXXXXX	XX XXXXXXXX	XX XXXXXXXX
038	AF 11001111	AF 11001111	AF 11001111
039	XX XXXXXXXX	XX XXXXXXXX	XX XXXXXXXX
040	XX XXXXXXXX	XX XXXXXXXX	XX XXXXXXXX
041	XX XXXXXXXX	XX XXXXXXXX	XX XXXXXXXX
042	XX XXXXXXXX	XX XXXXXXXX	XX XXXXXXXX
043	XX XXXXXXXX	XX XXXXXXXX	XX XXXXXXXX
044	XX XXXXXXXX	XX XXXXXXXX	XX XXXXXXXX
045	XX XXXXXXXX	XX XXXXXXXX	XX XXXXXXXX
046	XX XXXXXXXX	XX XXXXXXXX	XX XXXXXXXX
047	XX XXXXXXXX	XX XXXXXXXX	XX XXXXXXXX
048	XX XXXXXXXX	XX XXXXXXXX	XX XXXXXXXX
049	XX XXXXXXXX	XX XXXXXXXX	XX XXXXXXXX
050	XX XXXXXXXX	XX XXXXXXXX	XX XXXXXXXX
051	41 01000001	41 01000001	41 01000001
052	1B 00011011	1B 00011011	1B 00011011
053	06 00000110	06 00000110	06 00000110

054	75 01110101	75 01110101	75 01110101
055	00 00000000	00 00000000	00 00000000
056	DE 11011110	DE 11011110	DE 11011110
057	19 00011001	19 00011001	19 00011001
058	00 00000000	00 00000000	00 00000000
059	64 01100100	64 01100100	64 01100100
060	10 00010000	10 00010000	10 00010000

14.5.SCREEN ADJUSTMENT (FBT SCREEN)



SCREEN
ADJUST
POT



From the option list change option 2 bit 6 from 0 to 1 for disabling vertical scan. Adjust horizontal line via screen adjust pot. as thin as possible. Then press 0 to leave service menu.

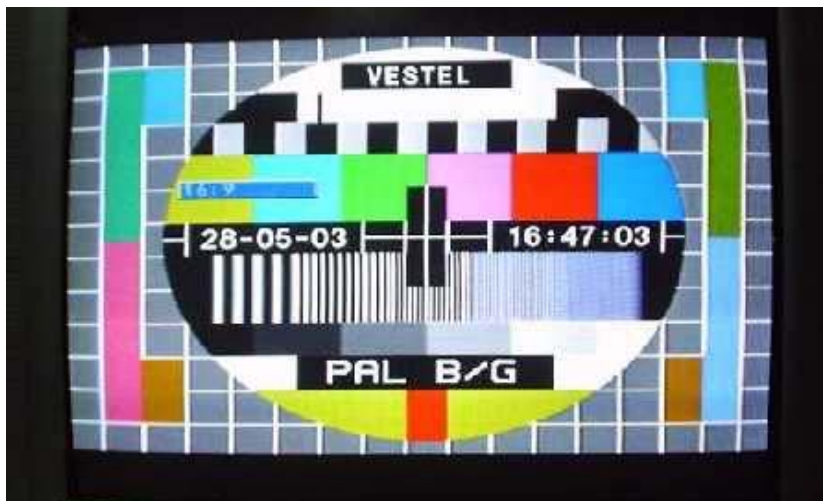
14.6.GEOMETRY ADJUSTMENT

4:3 FORMATS

4:3 MODE

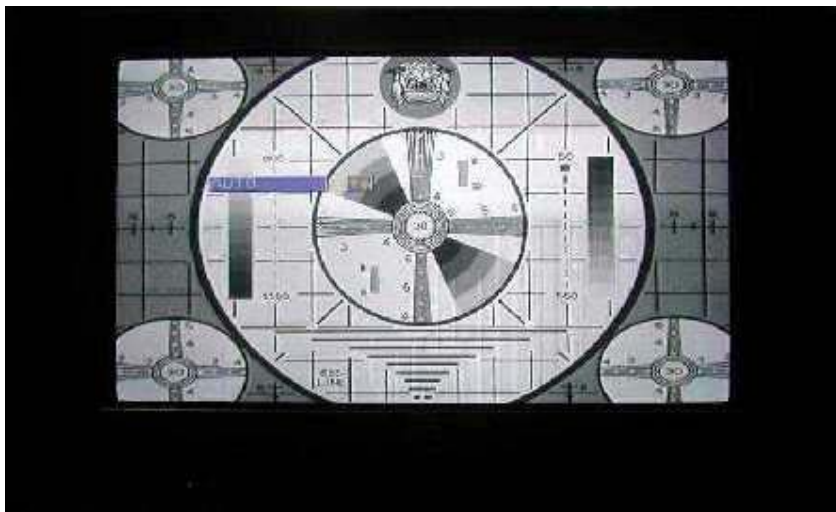


16:9 MODE

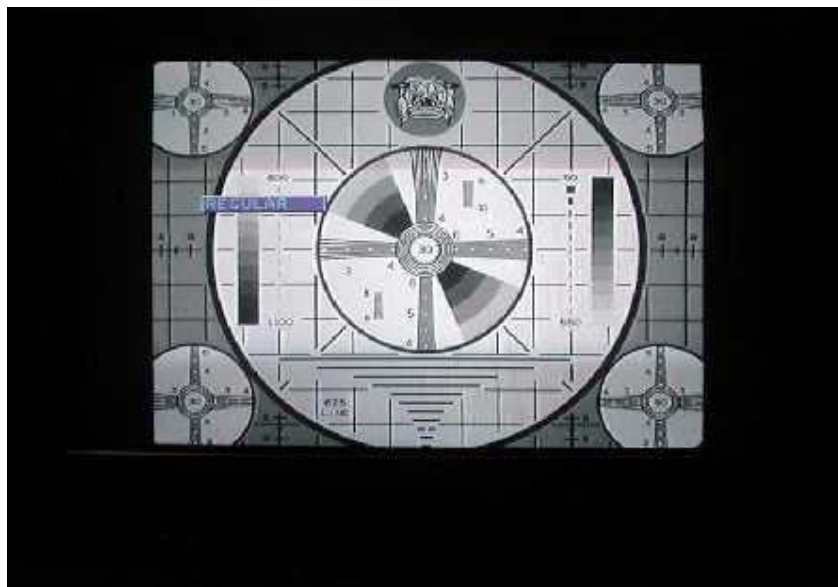


16:9 FORMATS

AUTO MODE



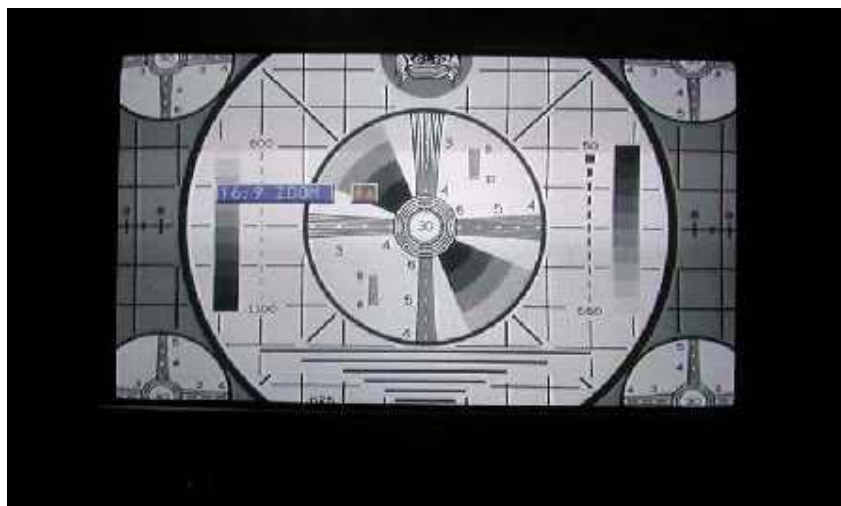
REGULAR MODE



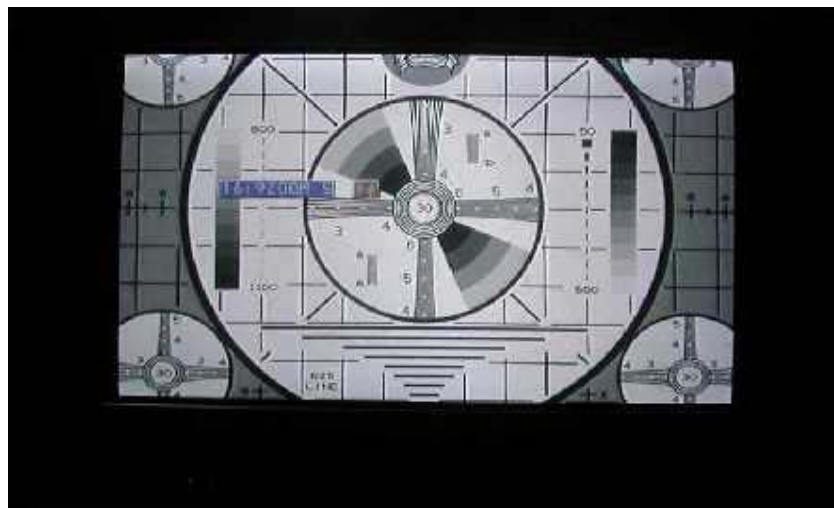
ZOOM 14:9 MODE



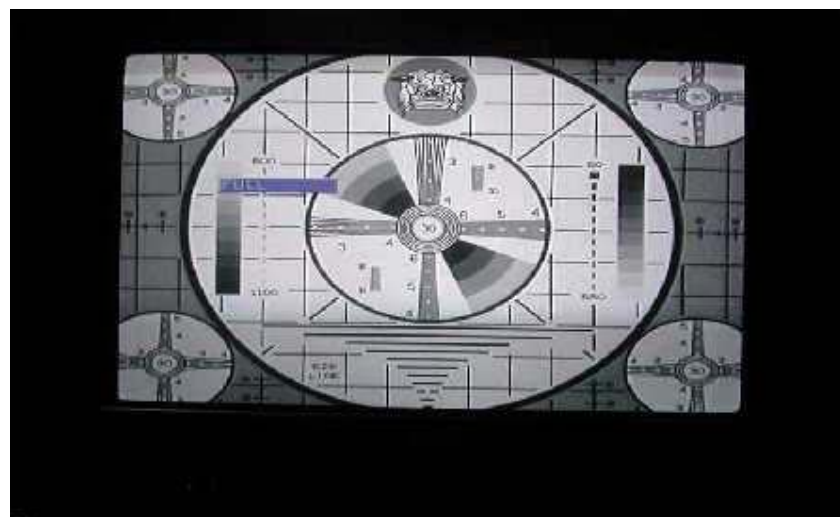
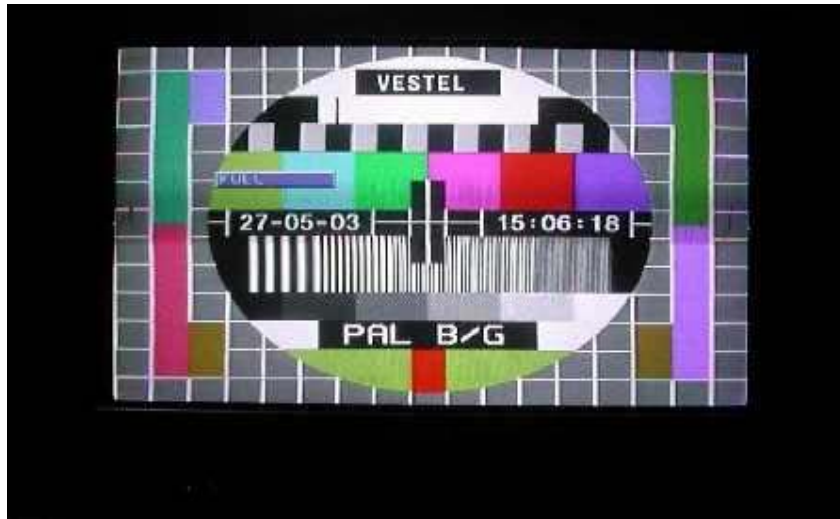
ZOOM 16:9 MODE



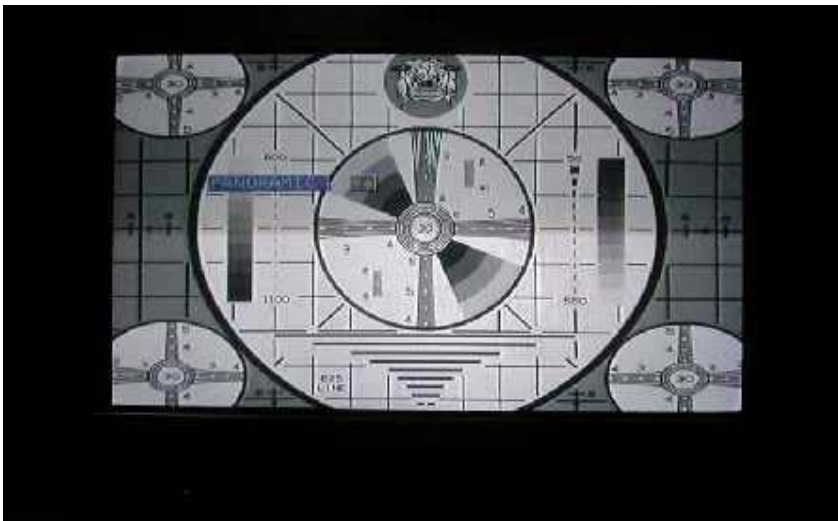
SUBTITLE ZOOM MODE



FULL MODE



PANOROMIC MODE



BILL OF MATERIAL LIST						
10023315			2845W*TEAC TEAC EU2845ST(AK45)SILVER			
BOM Date : 28/11/2003						
NO	COMPONENT CODE	MATERIAL	POSITION NUMBER			
1	20036465	ON/OFF AS.110°(32-33")(2.2/AU)(W/MAKARON
2	30002174	SWITCH SAFE ON/OFF 4A/64A
3	30002368	CNAS 2P/650 AC MAINS W/C
4	30014059	POWER CORD 2.2MT W/FILTER AUST.TYPE
5	40000127	SWITCH INSULATION DOOR LK101
6	40001898	MACARON (12cm.Isý ile daralan)
7	20102523	SNOW BOX ASSY 2845W/46W/47W
8	20098108	SNOW BOX TOP 2845/6/7W
9	60000011	EPS
10	20098109	SNOW BOX BOTTOM 2845/6/7W
11	60000011	EPS
12	20110272	MD.ASY.LD05-LED BOARD 2845/45W
14	30000295	CAP CER 100NF 50V Z F	C100	.	.	.
15	30002325	CNAS 2P/600 TB FLT W/C UL2468AWG24	PL101	.	.	.
16	30002335	CNAS 3P/600 PREAMP FLT W/C UL2468AWG24	PL102	.	.	.
17	30007720	IC PREAMPLIFIER TSOP1836 36kHz 5V	MD100	.	.	.
18	30010688	LED RED/GREEN VDC30354 3MM	D100	.	.	.
19	30019922	PCB 11LD05-1
20	20114820	BUTTON ASSY 2845/45W SILVER/P
21	20099579	LENS 2845/45W (I)
22	60000016	POLYCARBONAT GRAY (PC) (SMOK)
23	20114818	BUTT.ON/OFF 2845/45W (SILVER/P)
24	20114817	BUTTON ON/OFF 2845/45W EKO.GRAY (I)
25	60000001	ABS (NATURAL)
26	60001195	MASTERBATCH EKO.GRAY GR 3216 SE1
27	60000895	PAINT SILVER 022-6485 (SU BAZLI)L8341413
28	20114821	BUTTON FUNC. 2845/6/7-

		2845/6/7W SILVER/P						
29	20114819	BUT.FUNC.2845/6/7-2845/6/7W EKO.GRAY(I)
30	60000001	ABS (NATURAL)
31	60001195	MASTERBATCH EKO.GRAY GR 3216 SE1
32	60000895	PAINT SILVER 022-6485 (SU BAZLI)L8341413
33	35004544	SPRING ON/OFF SWITCH 20-21- 28-2956
34	20115445	CRT KIT (28"16:9) AK45 W/PFC
35	30014379	28DEG COIL&EARTH CB.SAFE 16:9WO/UL FTZ 2
36	30016483	CNAS 2P/600 HRZ DIS W/C UL1672AWG24	PL602
37	30019083	CNAS 2P/600 SIS W/C+FER UL1007AWG24	PL603
38	30020461	CNAS 2P+1 AK45 EMC	PL200
39	35000010	EARTH SPRING (4CM)
40	20123566	MD.ASY.SB103-FAV+HP+TK XX42.7/W(45)
43	30001830	CONN HEADER 2P 2.5MM TOP BLUE SD	PL106
44	30001839	CONN HEADER 3P 2.5MM TOP GREEN SD	PL107
45	30001891	RCA JACK 1P WHITE 28 FAV	JK102
46	30001892	RCA JACK 1P RED 28 FAV	JK103
47	30001893	RCA JACK 1P YELLOW 28 FAV	JK101
48	30002362	CNAS 830 FAV SHL W/4C+FER	PL106
50	30001902	JACK HEADPHONE STEREO WO/SW	JK108
51	30020926	CNAS 3P/900 FLT W/BLK C UL2468AWG24	PL108
53	30002181	SWITCH TACT(4)	SW101	SW102	SW103	SW104	SW105	
54	30002302	CNAS 6P/450 TB FLT W/C UL2468AWG24	PL109
61	30000712	RES CF 1/4W 470R J	R103	R106
62	30000801	RES CF 1/4W 7.5K J	R102	R104
63	30001979	FIXED COIL 1UH Q45 M-A	L101
64	30027516	PCB 11SB103-3
65	30000190	CAP CER 100PF 50V J CH	C101	C103	C104	.	.	.
69	30000471	RES CF 1/4W 10K J	R114	R115
70	30000551	RES CF 1/4W 18R J	R112	R113
71	30001996	FIXED COIL 22UH Q40 K	L103	L104
72	30000290	CAP CER 10NF 50V Z F	C105	C106
74	30000526	RES CF 1/4W 1.5K J	R121
75	30000622	RES CF 1/4W 270R J	R124

76	30000689	RES CF 1/4W 3.9K J	R116
77	30000712	RES CF 1/4W 470R J	R123
78	30000770	RES CF 1/4W 680R J	R122
79	20140416	CHS.ASSY.45-11F7312A312112151123A
80	20138494	CRT DIFF.KIT AK45-28"16:9 PHL SJLF(145V
81	30000123	CAP PP 33NF 630V K	C617
82	30000124	CAP MKP 620NF 250V %5	C624
83	30000136	CAP MKP SAFE 12NF 2000V %3.5	C621
84	30000151	CAP MKP 3.3NF 2KV %3.5	C616
85	30000167	CAP MKP SAFE 560NF 250V J	C623	C620	.	.	.
86	30000965	RES MF 1/2W 0.33R J	R641
87	30001229	RES FUSE SAFE 1W 2.2R J	R618
88	30001234	RES FUSE 2W 33R J	R613
89	30002829	FIXED COIL BRIDGE 1.5MH	L603
90	30012003	CAP MKP SAFE 18NF 630V J	C622
91	30017085	LINEARITY COIL 20UH	L602
92	30021290	TRF FBT SAFE 110° 50HZ LAYER	TR600
96	30002183	RELAY SAFE MON15 KI-S-212M	RL100
98	30001518	IC TDA1308	IC704
99	30001836	CONN HEADER 3P 2.5MM TOP BLACK SD	PL711
101	30001830	CONN HEADER 2P 2.5MM TOP BLUE SD	PL207
102	30001839	CONN HEADER 3P 2.5MM TOP GREEN SD	PL703
103	30009834	CABL 1P/60 SIS	B-B
105	30010921	DOUBLE-DECK SCART SOCKET	PL204
107	30013658	IC MSP3410G SDIP64	IC700
109	30009637	TUNER WSP (PLL) 38.9 MK2 - BATCH	TU200
111	30019493	IC VDP3133Y	IC200
113	20090585	CHASSIS FRAME 288X (AK37) (V.0)
114	60000009	FR-HIPS NATR.V-0
115	35005061	SCREW RB C SK ZN YFMB 2.9*9.5
117	30001619	IC VIDEO SWITCH TEA6415C DIP20	IC201
119	30001762	CONN HEADER 2P 2.5MM(9.7MM) TOP	PL503
120	30001770	CONN HEADER 3P 2.5MM TOP BD	PL504
122	20075415	HE.ASSY.41-LM317 (AK41/45)	IC103

123	30001668	IC LM317T
124	35000142	HEATSINK 15AK14/15 15/TP ORTAK
125	35000158	NUT C ZN BOTTOM M3
126	35000165	KNURL WASHER C ZNSY 3*6*04 (M3)
127	35000182	SCREW C ZN YSMB M3*10
128	20092405	CN.ASY.37-DIODE UF5407+FERRITE BAR 5*8	D121
129	30001964	FERRITE BAR 5*8
130	30007681	DIODE UF5407 3A/800V 150A
131	20108354	DIODE BRIDGE GBU4M 4A/1000V 150A(FORMLU)	D101
132	30007758	DIODE BRIDGE GBU4M 4A/1000V 150A
133	20113525	HE.ASY.45-VERTICAL W/CABLE HOLDER
134	30007793	IC STV9379FA	IC600
135	35000158	NUT C ZN BOTTOM M3
136	35000165	KNURL WASHER C ZNSY 3*6*04 (M3)
137	35000183	SCREW C ZN YSMB M3*12
138	35006411	HEATSINK AK45 VERTICAL
139	40000020	TR HOLDER TR-06A
140	40000146	INSULATOR SILICON PAD (15*20)
141	40011922	EDGE SADDLE (CT-16)
142	20113526	HE.ASY.45-AUDIO W/CABLE HOLDER
143	30016113	IC AAMP TDA7269A 2*14W MULTIWATT11	IC301
144	35000158	NUT C ZN BOTTOM M3
145	35000165	KNURL WASHER C ZNSY 3*6*04 (M3)
146	35000182	SCREW C ZN YSMB M3*10
147	35006161	HEATSINK AK38 AUDIO
148	40011922	EDGE SADDLE (CT-16)
149	20113527	HE.ASY.45-HORIZONTAL W/CABLE HOLDER
150	30001429	TR BUK444-200A	Q600
151	30001441	TR BU2508AF	Q602
152	35000158	NUT C ZN BOTTOM M3
153	35000165	KNURL WASHER C ZNSY 3*6*04 (M3)
154	35000181	SCREW C ZN YSMB M3*8
155	35000182	SCREW C ZN YSMB M3*10
156	35006412	HEATSINK AK45 HORIZONTAL

157	40011922	EDGE SADDLE (CT-16)
158	20113528	HE.ASY.45-REGULATOR
159	30001500	IC LM7808	IC104
160	30001622	IC 7805 (1A)	IC101
161	35000158	NUT C ZN BOTTOM M3
162	35000165	KNURL WASHER C ZNSY 3*6*04 (M3)
163	35000182	SCREW C ZN YSMB M3*10
164	35006081	HEATSINK AK45 REGULATOR
165	30000075	CAP MKT 100NF 250V K (DC)	C604
166	30000076	CAP MKT SAFE 100NF 275V M AC	C160
167	30000084	CAP MKT SAFE 150NF 275V M AC P=15	C102
168	30000094	CAP MKT SAFE 220NF 275V M AC	C103
169	30000161	CAP MKP SAFE 47NF 630V J	C108
170	30000348	CAP EL 10UF 160V M	C612
171	30000351	CAP EL 10UF 350V M	C601
172	30000359	CAP EL 1000UF 16V M	C141
173	30000360	CAP EL 1000UF 25V M	C148	C613	C614	.	.
174	30000402	CAP EL 47UF 100V M	C603
175	30000406	CAP EL 47UF 250V M (HR) 105°	C125	C605	.	.	.
176	30000409	CAP EL 470UF 25V M	C608	C809	.	.	.
177	30000440	CAP CER SAFE 2.2NF 4KV M	C161	C115	.	.	.
179	30001134	RES MO 2W 2.2R J	R640
180	30001224	RES FUSE SAFE 1/2W 0.22R J	R152
181	30001270	PTC SAFE 9 OHM	TH100
182	30001299	DIODE UF5404 3A/400V 150A	D603	D604	.	.	.
183	30001320	DIODE GUC BY228	D625
184	30001668	IC LM317T	IC102
185	30001756	XTAL 18.432MHZ	X700
186	30001762	CONN HEADER 2P 2.5MM(9.7MM) TOP	PL708
187	30001764	CONN HEADER 2P 2.5MM(9.7MM) TOP BLACK	PL709	PL200	.	.	.
188	30001783	CONN HEADER 5P 2.5MM TOP BD	PL500
189	30001784	CONN HEADER 6P 2.5MM TOP BD	PL502
190	30001792	CONN HEADER 2P 7.5MM TOP WHT	PL100	PL602	.	.	.
191	30001795	CONN HEADER 3P 5/7.5MM TOP WHT	PL101
192	30001829	CONN HEADER 2P 2.5MM TOP WHT SD	PL603

193	30001850	CONN HEADER 6P 2.5MM TOP WHT SD	PL604
194	30002031	FIXED COIL INJECTION 15MH	L601
195	30002090	LINE DRIVER NEW TYPE	TR601
196	30002851	XTAL 4MHZ L.C=30PF	X200
197	30006662	XTAL 6MHZ	X500
198	30007681	DIODE UF5407 3A/800V 150A	D611
200	30008778	XTAL 20.25MHZ	X201
201	30009833	CABL 1P/100 SIS
202	30009848	CABL 1P/240 SIS	A-A
203	30010039	CONN HEADER 8P 2.5MM TOP WHT	PL206
205	30011968	IC SMPS MC44608 DIP8	IC106
206	30015087	IC SAFE OPTOCOUPLER TCET1102G	IC100
207	30018085	CAP VAR SAFE 510V K MFCN14D511	R167
208	30018259	CAP EL 4700UF 25V M	C135	C133	C134	.	.
209	30018904	RES MO 5W 4.7k J	R616
210	35000135	TEST PIN 1.1MM	PL214
211	40006432	MOUNTING BUTTON (MB-10)
212	70000029	SOLDER (INGOT) 63/37
213	70000030	SOLDER WIRE CAP 1.00mm 60Sn40Pb
215	30001705	FILTER SAW OFWG9353M	Z201
216	30015591	FILTER SAW G3967	Z200
218	20000848	FUSE ASSY.TK79-A (2.5A)	F100
219	30001731	FUSE SAFE 2.5A 250V 5*20MM
220	35000136	FUSE HOLDER TK79-A (GRAY)
222	20132938	MB.M.45-SMPS170-270VWO/D-D-S(WO/P(24-5-8
223	20070614	HE.ASY.37-SMPS 170-270V (AK37/45/52)	Q102
224	30001386	TR MTP6N60E (PLASTIC)
225	35000158	NUT C ZN BOTTOM M3
226	35000165	KNURL WASHER C ZNSY 3*6*04 (M3)
227	35000181	SCREW C ZN YSMB M3*8
228	35006413	HEATSINK SMPS AK45
229	70000074	SILICON (GRES)
230	30000420	CAP EL 150UF 400V M	C107
231	30007774	NTC 5 OHM	R103
232	30018866	LINE FILTER SAFE 2X22MH 10mmX12.5mm	L101
233	30019432	TRF SMPS SAFE AK45 110° (170-270V)	TR100

235	20140108	PR.IC.45-SDA55XX TEAC
236	30011957	IC SDA55XX FLASH	IC500
238	30000092	CAP MKT 220NF 63V J	S219
239	30009835	CABL 1P/150 SIS	PL219- PL220	NOT-2	.	.	.
240	30009846	CABL 1P/40 SIS	NOT3
242	20147207	CN.ASY.45- F.B.3.5X4.7X0.8+R.F.1/2W0.47R	R603
243	30001244	RES FUSE SAFE 1/2W 0.47R J
244	30006712	FERRITE BEAD 3.5X4.7X0.8
246	30009366	DIODE UF5402 3A/200V 150A	D118	D119	.	.	.
252	30001329	DIODE 1N4007 1A/1000V 30A	D120	D123	.	.	.
259	30000393	CAP EL 3.3UF 50V M	C507
260	30000815	RES CF 1/4W 8.2K J	R326
261	30006770	FIXED COIL 0.22UH	L506
262	30000480	RES SMD 1/10W 100K J (0805)	R327
263	30001457	TR BC848B SMD	Q208
264	30012668	RES SMD 1/16W 220R J (0603)	R282
265	30012684	RES SMD 1/16W 330R J (0603)	R284
266	30012707	RES SMD 1/16W 680R J (0603)	R283
269	30000345	CAP EL 10UF 50V M	C769
270	30000352	CAP EL 100UF 16V M	C776	C782	.	.	.
271	30000362	CAP EL 1UF 50V M	C784
273	30001971	FERRITE BEAT (805) BLM21A601S	L714	L715	.	.	.
274	30012581	CAP SMD 1NF 50V K R (0603)	C706	C715	C779	C786	.
275	30012585	CAP SMD 2.2NF 50V K R (0603)	C775	C785	C795	C796	.
276	30012641	RES SMD 1/16W 10K J (0603)	R747	R756	.	.	.
277	30012692	RES SMD 1/16W 4.7K J (0603)	R742	R746	.	.	.
278	30012709	RES SMD 1/16W 7.5K J (0603)	R749	R754	.	.	.
279	30016126	CAP SMD 220NF 16V K R (0603)	C763	C767	.	.	.
280	30016654	CAP SMD 100NF 16V K R (0603)	C765
284	30012581	CAP SMD 1NF 50V K R (0603)	C740	C741	.	.	.
285	30012657	RES SMD 1/16W 1K J (0603)	R725	R726	.	.	.
286	30016126	CAP SMD 220NF 16V K R (0603)	C729	C730	.	.	.
293	30000459	RES CF 1/4W 100R J	R723
294	30000770	RES CF 1/4W 680R J	R288
295	30000792	RES CF 1/4W 75R J	R219
296	30000345	CAP EL 10UF 50V M	C771	C772	.	.	.
297	30001457	TR BC848B SMD	Q200
298	30001971	FERRITE BEAT (805) BLM21A601S	L216	L217	L212	L220	.
299	30012510	RES SMD 1/16W 100R J (0603)	R724
300	30012581	CAP SMD 1NF 50V K R (0603)	C290	C302	C746	C747	C750

.	.	.	C751
301	30012589	CAP SMD 4.7NF 50V K (0603)	C296	C308
302	30012603	CAP SMD 100NF 25V K R (0603)	C362
303	30012607	CAP SMD 150PF 50V J (0603)	C287	C304
304	30012650	RES SMD 1/16W 15K J (0603)	R528
305	30012657	RES SMD 1/16W 1K J (0603)	R718	R719
306	30012707	RES SMD 1/16W 680R J (0603)	R285
307	30012713	RES SMD 1/16W 75R J (0603)	R202
309	30016126	CAP SMD 220NF 16V K R (0603)	C719	C733
315	30001173	RES MO 1W 0.47R J	R116
321	30012713	RES SMD 1/16W 75R J (0603)	R334
327	30000459	RES CF 1/4W 100R J	R206	R207
328	30000792	RES CF 1/4W 75R J	R317
329	30000352	CAP EL 100UF 16V M	C212
330	30001457	TR BC848B SMD	Q202
331	30001971	FERRITE BEAT (805) BLM21A601S	L227
332	30012641	RES SMD 1/16W 10K J (0603)	R222	R238	R237	R316	R220	
.	.	.	R308
333	30012657	RES SMD 1/16W 1K J (0603)	R318
334	30012713	RES SMD 1/16W 75R J (0603)	R215	R200	R236	R205	R310	
.	.	.	R201
336	30016126	CAP SMD 220NF 16V K R (0603)	C234	C210	C208	C217	C214	
.	.	.	C215	C222	C209	.	.	
337	30016654	CAP SMD 100NF 16V K R (0603)	C231	
340	30001288	DIODE BYV27-200 2A/200V 50A	D110	
341	30001315	DIODE BYD33D 1A/200V 20A	D127	
342	30000090	CAP MKT 22NF 100V J	C119	
350	30000452	RES CF 1/4W 10R J	R108	
351	30000459	RES CF 1/4W 100R J	R266	R567	R568	R265	.	
352	30000466	RES CF 1/4W 1K J	R537	R150	R519	R658	R657	
.	.	.	R336	R337	R338	.	.	
353	30000470	RES CF 1/2W 10K J	R601	
354	30000471	RES CF 1/4W 10K J	R505	R506	R612	.	.	
355	30000481	RES CF 1/4W 1M J	R137	
356	30000495	RES CF 1/4W 1.2K J	R131	R132	.	.	.	
357	30000500	RES CF 1/4W 12K J	R247	
358	30000580	RES CF 1/4W 22R J	R118	R645	.	.	.	
359	30000649	RES CF 1/2W 33R J	R644	
360	30000655	RES CF 1/4W 330R J	R235	
361	30000660	RES CF 1/4W 3.3K J	R138	
362	30000718	RES CF 1/4W 4.7K J	R100	
363	30000723	RES CF 1/4W 47K J	R818	

364	30000792	RES CF 1/4W 75R J	R221	R231
365	30000848	RES MF 1/4W 1K F	R652
366	30000872	RES MF 1/4W 120K F	R630
367	30000880	RES MF 1/4W 130K F	R133
368	30000896	RES MF 1/4W 160K G	R101
369	30000982	RES MF 1/4W 4.7K J	R105
370	30001082	RES MO 1/2W 1K J	R650
371	30001100	RES MO 1W 150R J	R608
372	30001159	RES MO 1W 0.33R J	R165
373	30001228	RES FUSE SAFE 1/2W 2.2R J	R649
374	30001244	RES FUSE SAFE 1/2W 0.47R J	R604
375	30001257	RES MG SAFE 1/2W 4.7M J	R117
376	30001284	DIODE 1N4148 0.15A/100V 0.5A	D627
377	30001291	DIODE HER107 1A/800V 30A	D613
378	30001315	DIODE BYD33D 1A/200V 20A	D108
379	30001318	DIODE BA159 1A/800V 20A	D103	D610	D104	D615	D105	.
.	.	.	D131	D609	D602	D111	.	.
380	30001329	DIODE 1N4007 1A/1000V 30A	D100	D130
381	30001344	DIODE ZENER 6.2V 1/2W	D106
382	30001377	DIODE ZENER 33V UZT 33B	D601
383	30001979	FIXED COIL 1UH Q45 M-A	L206	L207	L263	L264	L717	.
.	.	.	L265
384	30001987	FIXED COIL 4.7UH Q70 K-A	L266
385	30001992	FIXED COIL 10UH Q65 K-A	L103	L504	L500	L505	L501	.
.	.	.	L502	L503
386	30001996	FIXED COIL 22UH Q40 K	L700	L711	L701	L203	L702	.
.	.	.	L703	J344
387	30003722	DIODE ZENER ZPD15V	D133
388	30015222	RES MO 1W 0.75R J	R140
389	30025271	PCB 11AK45B5
390	30000069	CAP MKT 1NF 100V J	C648
391	30000074	CAP MKT 100NF 63V J	C632
392	30000082	CAP MKT 15NF 63V J	C609
393	30000092	CAP MKT 220NF 63V J	C638	C718	C717	C643	.	.
394	30000107	CAP MKT 47NF 250V J	C219
395	30000109	CAP MKT 470NF 63V J	C327	C265	C348	C356	C225	.
.	.	.	C266
396	30000225	CAP CER 220PF 50V J SL	C166
397	30000296	CAP CER 100NF 100V Z F	C646	C631
398	30000313	CAP CER 22NF 50V Z F	C172
399	30000345	CAP EL 10UF 50V M	C808
400	30000345	CAP EL 10UF 50V M	C229	C701	C259	C277	C744	.
.	.	.	C736	C351	C280	C737	C283	.

.	.	.	C253	C739	C524	C286	C357
.	.	.	C506	C720	C508	C724	C522
.	.	.	C523	C525	C358	.	.
401	30000352	CAP EL 100UF 16V M	C700	C754	C226	.	.
402	30000362	CAP EL 1UF 50V M	C789	C791	C165	C164	.
403	30000367	CAP EL 1UF 250V M	C137	C619	.	.	.
404	30000371	CAP EL 22UF 50V M	C106
405	30000375	CAP EL 220UF 16V M	C145	C152	C154	C155	C530
406	30000376	CAP EL 220UF 25V M	C124
407	30000387	CAP EL 33UF 50V M	C142	C252	.	.	.
408	30000393	CAP EL 3.3UF 50V M	C735	C140	.	.	.
409	30000407	CAP EL 470UF 16V M	C708
410	30000436	CAP CER 10NF 1KV ZE	C130
411	30000444	CAP CER 470PF 1KV KB	C618
412	30001384	TR MCR22-6	Q110
413	30001428	TR BF423	Q107
414	30001435	TR NBJT BC639 1A/100V TO92	Q601
415	30001454	TR BC548B	Q103	Q106	.	.	.
416	30001506	IC TL431	IC116	IC601	.	.	.
417	30006940	CAP CER 2.7NF 1KV K B	C113
418	30007308	CAP CER 220PF 1KV K (PULSE)	C111	C118	C120	C122	.
419	30007708	CAP CER 1NF 1KV K (PULSE)	C162
420	30009208	CAP CER 470PF 1KV K (PULSE)	C114	C636	.	.	.
421	30000480	RES SMD 1/10W 100K J (0805)	R144	R625	R627	.	.
422	30000494	RES SMD 1/10W 120R J (0805)	R162
423	30000575	RES SMD 1/10W 2K J	R134
424	30000593	RES SMD 1/10W 2.2K J (0805)	R139	R164	R106	R259	R276
425	30001285	DIODE 1N4148 SMD	D622	D125	D204	D623	D200
.	.	.	D112	D624	D129	D702	D617
.	.	.	D114	D132	D134	D212	D612
.	.	.	D706	D628	D629	.	.
426	30001457	TR BC848B SMD	Q108	Q113	Q501	Q109	Q502
.	.	.	Q203	Q114	Q503	Q216	Q504
.	.	.	Q500	Q220	Q201	Q222	Q704
.	.	.	Q223
427	30001458	TR BC858B SMD	Q505	Q700	Q218	Q112	Q603
.	.	.	Q605	Q606	Q703	.	.
429	30001968	FERRITE BEAD (0805) BLM21B201S	L719
430	30001971	FERRITE BEAD (805) BLM21A601S	L102	L251	L236	L252	L232
.	.	.	L239	L247	L213	L214	L215
.	.	.	L218
431	30003720	DIODE ZENER BZT55C5V6 5.6V	D113

		SMD						
432	30007761	DIODE ZENER SMD BZT55C3V6	D701
433	30012412	DIODE ZENER 2.4V SMD	D506
434	30012506	RES SMD 1/16W 1.5K J (0603)	R555
435	30012508	RES SMD 1/16W 1.8K J (0603)	R538	R539	R540	.	.	.
436	30012509	RES SMD 1/16W 100K J (0603)	R653
437	30012510	RES SMD 1/16W 100R J (0603)	R208	R705	R209	R503	R713	.
.	.	.	R504	R714	R704	R299	R350	.
.	.	.	R351	R241	R703	R600	R428	.
.	.	.	R429	R430
438	30012559	CAP SMD 10PF 50V D COG (0603)	C278	C279	C240	.	.	.
439	30012560	CAP SMD 100PF 50V J (0603)	C121	C242
440	30012565	CAP SMD 1.8PF 50V J CH (0603)	C742	C743
441	30012566	CAP SMD 22PF 50V J (0603)	C170
442	30012567	CAP SMD 220PF 50V J (0603)	C764	C774
443	30012572	CAP SMD 390PF 50V J (0603)	C331
444	30012573	CAP SMD 47PF 50V J (0603)	C520	C521	C803	.	.	.
445	30012574	CAP SMD 470PF 50V J (0603)	C810	C811
446	30012576	CAP SMD 56PF 50V J CH (0603)	C721	C738	C722	.	.	.
447	30012579	CAP SMD 82PF 50V J (0603)	C333
448	30012581	CAP SMD 1NF 50V K R (0603)	C149	C732	C258	C267	C745	.
.	.	.	C793	C749	C712	C349	C713	.
.	.	.	C794	C728	C359	C360	C353	.
449	30012583	CAP SMD 1.5NF 50V K (0603)	C748	C731	C702	C237	.	.
450	30012584	CAP SMD 1.8NF 50V K R (0603)	C635
451	30012585	CAP SMD 2.2NF 50V K R (0603)	C282	C260	C284	.	.	.
452	30012586	CAP SMD 22NF 50V K (0603)	C246	C248
453	30012588	CAP SMD 33NF 50V K (0603)	C261	C263
454	30012589	CAP SMD 4.7NF 50V K (0603)	C288	C289	C292	C300	C637	.
455	30012590	CAP SMD 47NF 50V K (0603)	C268	C273	C781	C783	C171	.
456	30012591	CAP SMD 5.6NF 50V K (0603)	C644	C645
457	30012603	CAP SMD 100NF 25V K R (0603)	C146	C126	C127	C633	C630	.
.	.	.	C264	C105	C361	C129	C174	.
.	.	.	C175	C176	C173	.	.	.
458	30012607	CAP SMD 150PF 50V J (0603)	C293	C301
459	30012609	CAP SMD 68NF 50V K (0603)	C213
460	30012610	CAP SMD 10NF 50V J (0603)	C218	C262	C249	C238	C607	.
.	.	.	C235
461	30012641	RES SMD 1/16W 10K J (0603)	R126	R130	R548	R154	R151	.
.	.	.	R248	R141	R622	R155	R582	.
.	.	.	R623	R156	R270	R269	R119	.
.	.	.	R268	R157	R535	R636	R589	.

.	.	.	R762	R759	R656	R817	R166
.	.	.	R349	R230	.	.	.
462	30012643	RES SMD 1/16W 120R J (0603)	C202
463	30012644	RES SMD 1/16W 12K J (0603)	R357	R815	.	.	.
464	30012650	RES SMD 1/16W 15K J (0603)	R520	R406	R647	.	.
465	30012654	RES SMD 1/16W 180K J (0603)	R646
466	30012655	RES SMD 1/16W 180R J (0603)	R256	R358	.	.	.
467	30012657	RES SMD 1/16W 1K J (0603)	R112	R267	R571	R549	R142
.	.	.	R158	R702	R330	R342	R628
.	.	.	R254	R233	R149	R161	R110
.	.	.	R637	R710	R715	R411	R412
468	30012658	RES SMD 1/16W 1M J (0603)	R648
469	30012661	RES SMD 1/16W 2.4K J (0603)	R427
470	30012662	RES SMD 1/16W 2.7K J (0603)	R513	R518	R541	R210	.
471	30012668	RES SMD 1/16W 220R J (0603)	R512
472	30012669	RES SMD 1/16W 22K J (0603)	R765	R766	R359	R400	R260
473	30012673	RES SMD 1/16W 270R J (0603)	R281
474	30012674	RES SMD 1/16W 27K J (0603)	R638	R629	R655	.	.
475	30012677	RES SMD 1/16W 3.3K J (0603)	R261
476	30012679	RES SMD 1/16W 3.9K J (0603)	R526	R277	R590	R550	R527
.	.	.	R524	R415	R521	R819	.
477	30012685	RES SMD 1/16W 33K J (0603)	R533
478	30012692	RES SMD 1/16W 4.7K J (0603)	R127	R153	R554	R129	R516
.	.	.	R522	R343	R404	R624	R626
.	.	.	R211
479	30012695	RES SMD 1/16W 470R J (0603)	R553	R700	R701	R607	R416
.	.	.	R417	R418	R419	R420	R421
.	.	.	R422	R423	R424	R426	R425
.	.	.	R793	R794	.	.	.
480	30012696	RES SMD 1/16W 47K J (0603)	R507	R508	R509	R510	R242
.	.	.	R621	R820	.	.	.
481	30012697	RES SMD 1/16W 5.1K J (0603)	R146
482	30012698	RES SMD 1/16W 5.6K J (0603)	R352
483	30012702	RES SMD 1/16W 560R J (0603)	R274	R760	R763	R234	.
484	30012707	RES SMD 1/16W 680R J (0603)	R286	R289	.	.	.
485	30012708	RES SMD 1/16W 68K J (0603)	R654
486	30012711	RES SMD 1/16W 75K J (0603)	R591
487	30012712	RES SMD 1/16W 8.2K J (0603)	R523
488	30012713	RES SMD 1/16W 75R J (0603)	R203	R239	R278	R279	R280
.	.	.	R232	R204	R413	R414	R409
.	.	.	R272
491	30014022	RES SMD 1/16W 47R J (0603)	R122
492	30014076	RES SMD 1/16W 4.7R J (0603)	R753	R755	.	.	.

493	30014465	RES SMD 1/16W 2.7K F (603)	R632
494	30016126	CAP SMD 220NF 16V K R (0603)	C628	C255	.	.	.
495	30016654	CAP SMD 100NF 16V K R (0603)	C269	C270	C271	C274	C275
.	.	.	C276	C352	.	.	.
496	30016654	CAP SMD 100NF 16V K R (0603)	C147	C516	C716	C227	C734
.	.	.	C527	C150	C517	C350	C233
.	.	.	C509	C537	C156	C518	C510
.	.	.	C707	C519	C511	C138	C157
.	.	.	C725	C514	C515	.	.
497	30020455	RES SMD 1/16W 1.5K F (0603)	R143	R147	.	.	.
498	30020457	RES SMD 1/16W 910R F (0603)	R145	R148	.	.	.
499	30025773	DIODE ZENER SMD BZT55B5V1	D614	D214	D215	D216	.
505	30000452	RES CF 1/4W 10R J	S224
506	30012982	RES SMD 1/16W 10R J 0603	S226	S227	S225	.	.
508	30021082	IC TDA9885T/V3-SO24	IC206
510	30001457	TR BC848B SMD	Q511
511	30001457	TR BC848B SMD	Q508
512	30001458	TR BC858B SMD	Q513
513	30012510	RES SMD 1/16W 100R J (0603)	R565	R561	.	.	.
514	30012641	RES SMD 1/16W 10K J (0603)	R587	R585	R586	R588	.
515	30012641	RES SMD 1/16W 10K J (0603)	R566
516	30012692	RES SMD 1/16W 4.7K J (0603)	R564
521	30000872	RES MF 1/4W 120K F	R631
522	30000927	RES MF 1/4W 220K J	R605
523	30001162	RES MO 1W 390R J	R639
524	30001244	RES FUSE SAFE 1/2W 0.47R J	R614	R611	.	.	.
530	30016126	CAP SMD 220NF 16V K R (0603)	C336
531	20140420	IC 24C16 V041NE113A01010100212
532	30009005	IC 24C16
533	20141647	FRONT 2845W W/H SILVER (P)(UL)
534	20141923	CRT B.ASSY.TP45B-5- SING.FOCUS(AK45)
536	20103005	HE.ASY.52-CRT BOARD (AK52/AK45)	IC900
537	30018768	IC TDA6109	IC900
538	35000131	HEATSINK 11TP18 RGB
539	35000158	NUT C ZN BOTTOM M3
540	35000165	KNURL WASHER C ZNSY 3*6*04 (M3)
541	35000180	SCREW C ZN YSMB M3*6
542	30001855	SOCKET CRT SAFE NARROWNECK W/GND	PL901
544	20141943	CRT B.ASSY.TP45B-5-SMD

		COMMON(AK45)					
549	20141948	CRT B.ASSY.TP45B-5-PER COMMON(AK45)
550	35000176	EYELET BR 2*3MM	PL904	PL905	PL909	.	.
552	30000428	SPARK GAP 300V	SG901	SG902	SG903	SG904	.
553	30000459	RES CF 1/4W 100R J	R901	R902	R903	R912	R914
554	30000466	RES CF 1/4W 1K J	R911
555	30000477	RES CF 1/4W 100K J	R905	R906	R909	R930	.
556	30000535	RES CF 1/2W 150K J	R904
557	30000583	RES CF 1/4W 220R J	R917	R923	R927	.	.
558	30000788	RES CF 1/4W 6.8M J	R900
559	30001284	DIODE 1N4148 0.15A/100V 0.5A	D903
560	30001318	DIODE BA159 1A/800V 20A	D902	D904	D905	D907	.
561	30021483	RES CC 1W 2.2K K	R913
562	30021532	SPARK GAP 1500V	SG905
563	30023197	RES CC 1W 1.5K K	R907	R908	R910	.	.
564	30026990	PCB 11TP45B-5
565	30000287	CAP CER 10NF 50V K B	C904
566	30000352	CAP EL 100UF 16V M	C916
567	30000367	CAP EL 1UF 250V M	C932
568	30000407	CAP EL 470UF 16V M	C915
569	30000438	CAP CER 2.2NF 2KV	C908
570	30001427	TR BF422	Q900
571	30001452	TR BC327	Q906
572	30014346	IC 78L05 TO-92 (100mA)	IC902
573	30014346	IC 78L05 TO-92 (100mA)	IC901
574	30000294	CAP SMD 100NF 50V K (0805)	C910	C913	C921	.	.
575	30001285	DIODE 1N4148 SMD	D910
576	30001285	DIODE 1N4148 SMD	D909
577	30001458	TR BC858B SMD	Q901	Q902	Q903	Q904	Q905
578	30012510	RES SMD 1/16W 100R J (0603)	R928
579	30012577	CAP SMD 560PF 50V J (0603)	C918	C919	C920	.	.
580	30012577	CAP SMD 560PF 50V J (0603)	C914
581	30012603	CAP SMD 100NF 25V K R (0603)	C934
582	30012644	RES SMD 1/16W 12K J (0603)	R919
583	30012649	RES SMD 1/16W 150R J (0603)	R915	R921	R925	.	.
584	30012667	RES SMD 1/16W 220K J (0603)	R931
585	30012698	RES SMD 1/16W 5.6K J (0603)	R920
586	30012707	RES SMD 1/16W 680R J (0603)	R932	R933	.	.	.
587	30014128	RES SMD 1/16W 33R J (0603)	R916	R922	R926	.	.
588	30014353	DIODE BAT85	D908
590	30000075	CAP MKT 100NF 250V K (DC)	C900	C906	.	.	.
591	30000075	CAP MKT 100NF 250V K (DC)	C931

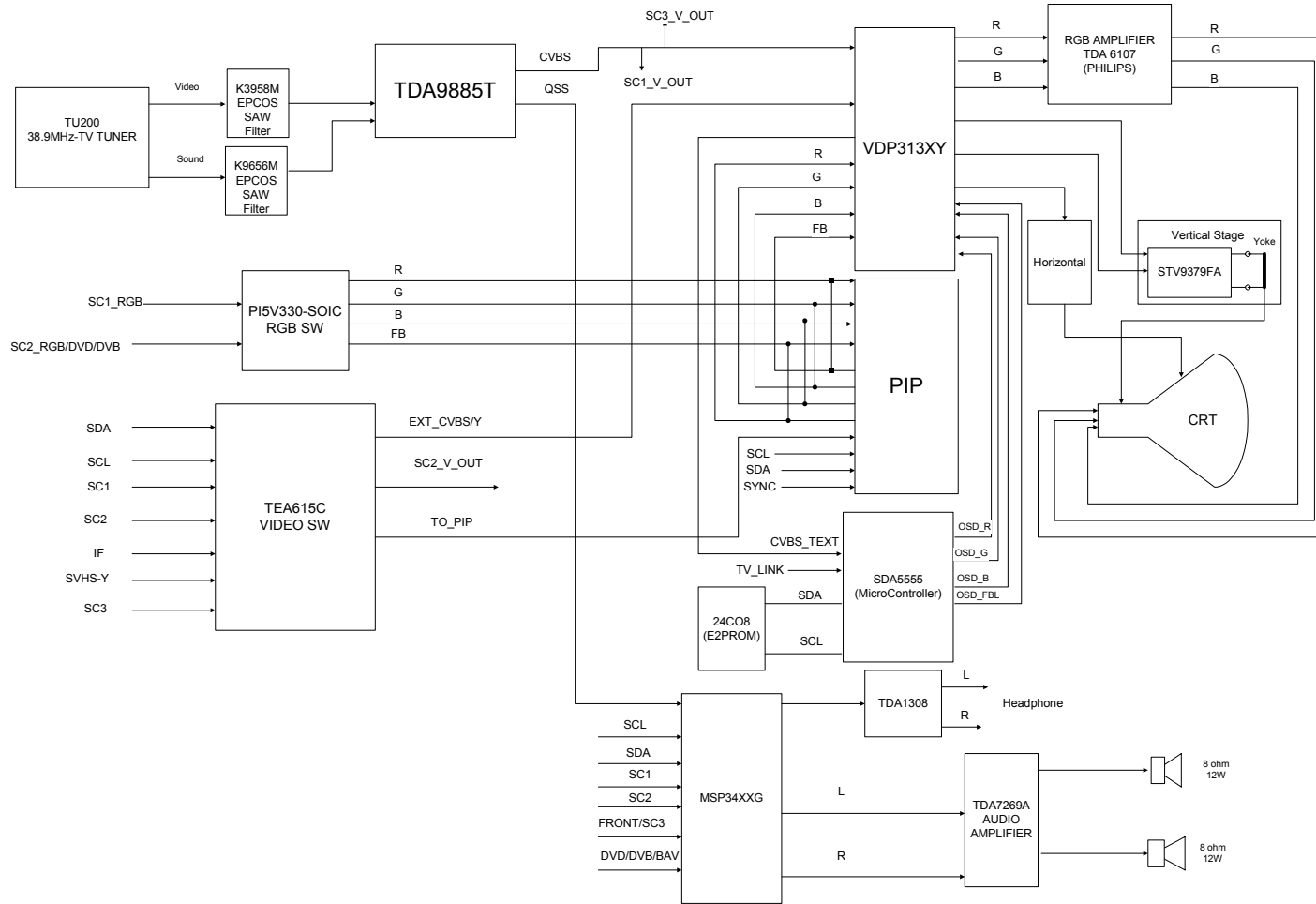
592	30000350	CAP EL 10UF 250V M	C905
593	30000359	CAP EL 1000UF 16V M	C909
594	30000415	CAP EL 4.7UF 250V M	C902
595	30001850	CONN HEADER 6P 2.5MM TOP WHT SD	PL903
596	30010039	CONN HEADER 8P 2.5MM TOP WHT	PL902
597	30027043	CNAS 6P-4P+1P/600 SIS W/3C+FER UL1007	PL903
598	30027546	CNAS 5P/350 SHL+3P/350 SIS RGB W/DC+FER	PL902
599	35000135	TEST PIN 1.1MM	PL905	PL909	.	.	.
600	20143445	ARTWORK TEAC EU2845ST(AK45)SILVER
601	20142179	R/C 1541 TEAC (S) (EKO2GRAY(I)
602	20129851	R/C 1541 NOBRAND (S) (EKO2GRAY)(F)
603	20121852	R/C KIT 1541
604	20121796	MD.ASY.UK10
605	20121797	MD.ASY.UK10 (SMD)
606	30000546	RES SMD 1/10W 1.5R J (0805)	R106
607	30002735	IC SAA3010T	IC1
608	30012510	RES SMD 1/16W 100R J (0603)	R101
609	30012641	RES SMD 1/16W 10K J (0603)	R104
610	30012696	RES SMD 1/16W 47K J (0603)	R105
611	30012705	RES SMD 1/16W 6.8K J (0603)	R100
612	30012986	RES SMD 1/16W 68R J (0603)	R103
613	30013001	RES SMD 1/16W 1K F (0603)	R102
614	30020343	PCB 11UK10-2
615	30000395	CAP EL 47UF 6.3V M (4*7MM)	C100
616	30001452	TR BC327	Q102
617	30002733	LED INFRARED IR333	D100
618	30002734	TR BC548C	Q101
619	30011443	XTAL REZ 429KHZ (0.9MM)	X100
620	35000001	SINGLE BATTERY CONTACT (-)
621	35005006	SINGLE BATTERY CONTACT (+) TOSHIBA
622	35005007	DOUBLE BATTERY CONTACT UKV-900 TOSHIBA
623	40012332	RUBBER PAD (RC 1541)
624	40011955	BATTERY COVER RC 5010-11 EKO2GRAY(I)
625	40014912	BOTTOM COVER RC 1541 EKO2GRAY (I)
626	40014913	TOP CVR.R/C 1541

		NOBRAND(S)(EKO2GRAY)					
627	30027396	CNAS SCART TO RCA (YUV) 150CM
628	50045074	I/B TEAC EU2845ST PLL/AK45/1541/ENG
629	20143446	F CARTON BOX TEAC EU2845ST(AK45)SILVER
630	20143447	LBL.BCK.CVR.TEAC EU2845ST "45"
631	20013018	LBL.BCK.CVR.ASSY (TV) (WO/UL)
632	50023173	LABEL LOT W/BARCODE (77X256)
633	70000621	RIBBON 80MM*450MM
634	20144518	BACK CVR.2845W/6W/7W SILVER (P)(UL)
635	20144520	BACK CVR.2845W/6W/7W EKO.GRAY(I) (UL)
636	60000009	FR-HIPS NATR.V-0
637	60001195	MASTERBATCH EKO.GRAY GR 3216 SE1
638	60000895	PAINT SILVER 022-6485 (SU BAZL)L8341413
639	20144925	EXP.KIT AK37 2845-46/45W/46W (V.0)
640	20004520	CABLE HOLDER DX15 (I)
641	60000991	KIRMA - HDPE
642	20084045	STRAP TIE (L:118)
643	60000018	COPOLYMER POLYPROPYLENE
644	20085269	CABLE HOLDER CRT (I) UL94V- 0
645	60000855	KIRMA FR-ABS BLUE CRT
646	40006731	ISOLATION COTTON (9x25000mm)
647	70000331	ADHESIVE TAPE 75MM/660M (4125)
648	20144927	SCR.ASSY.2845W/6W/7W SB AK45 (V.0)
649	20120113	BACK DOOR AK45/52 (I) (V.0)
650	60000009	FR-HIPS NATR.V-0
651	60000022	MASTERBATCH (BLACK)
652	35000211	SCREW S C ZNSY YSMB 2.9*9.5
653	35000212	SCREW S C ZNSY YSMB 2.9*13
654	35000214	SCREW S C ZNSY YSMB 3.5*19
655	35000224	SCREW C SK ZN YFMB 2.9*9.5
656	35000235	SCREW P C ZN AKBR 7*32
657	35004572	SCREW P C AgSYF YSB 4x20

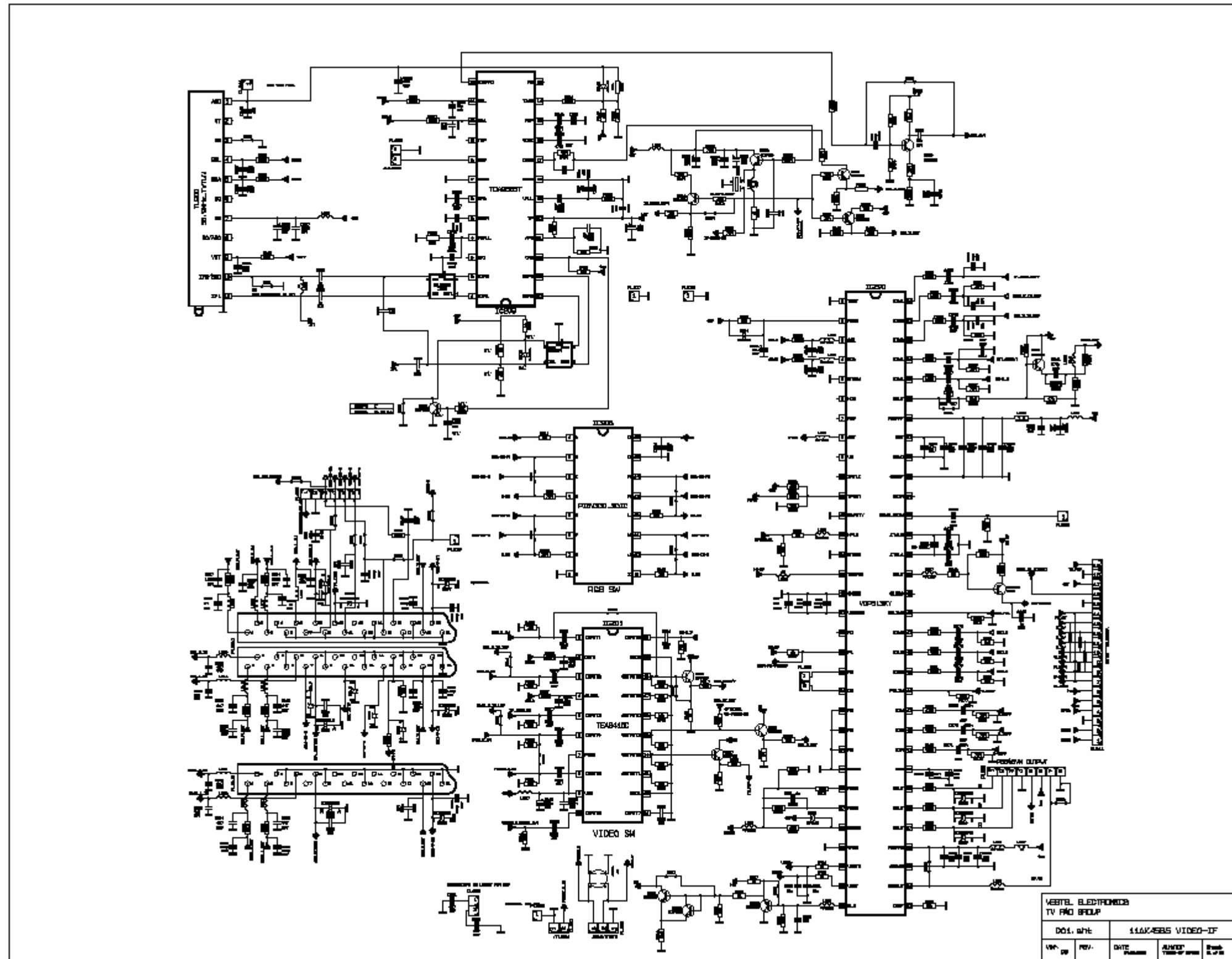
658	40000082	FOOT RUBBER 8410/11
659	20150148	SPK.AS.2990/1/2/3 W/TWT (AK45)
660	20150149	SPK.AS.2990/XX W/TWT (AK45)(R)
661	30000426	CAP EL 6.8UF 50V M (BPL)
662	30001947	TWEETER 8R 15W CLOSED
663	30002238	CABL 2P/200 SPK DIS UL1672AWG24
664	30013905	CNAS 2P/900 DIS W/BLKC+FER UL2547 AWG24
665	30028092	SPEAKER 8R 15W 57*160 (improved)
666	50011720	LABEL HIGH END
667	20150150	SPK.AS.2990/XX W/TWT (AK45)(L)
668	30000426	CAP EL 6.8UF 50V M (BPL)
669	30001947	TWEETER 8R 15W CLOSED
670	30002238	CABL 2P/200 SPK DIS UL1672AWG24
671	30013903	CNAS 2P/900 DIS W/C+FER UL2547 AWG24
672	30028092	SPEAKER 8R 15W 57*160 (improved)
673	50011720	LABEL HIGH END
674	30008915	28" CPT TUBE SAFE 16:9 SF IRON
675	40001939	LOGO TEAC(D.C.-SILVER)(BIG)
676	50042311	PLASTIZOTE BAG (1300mm*1100mm)
677	50045076	LBL.SCREEN TEAC EU2845ST

16.BLOCK DIAGRAM

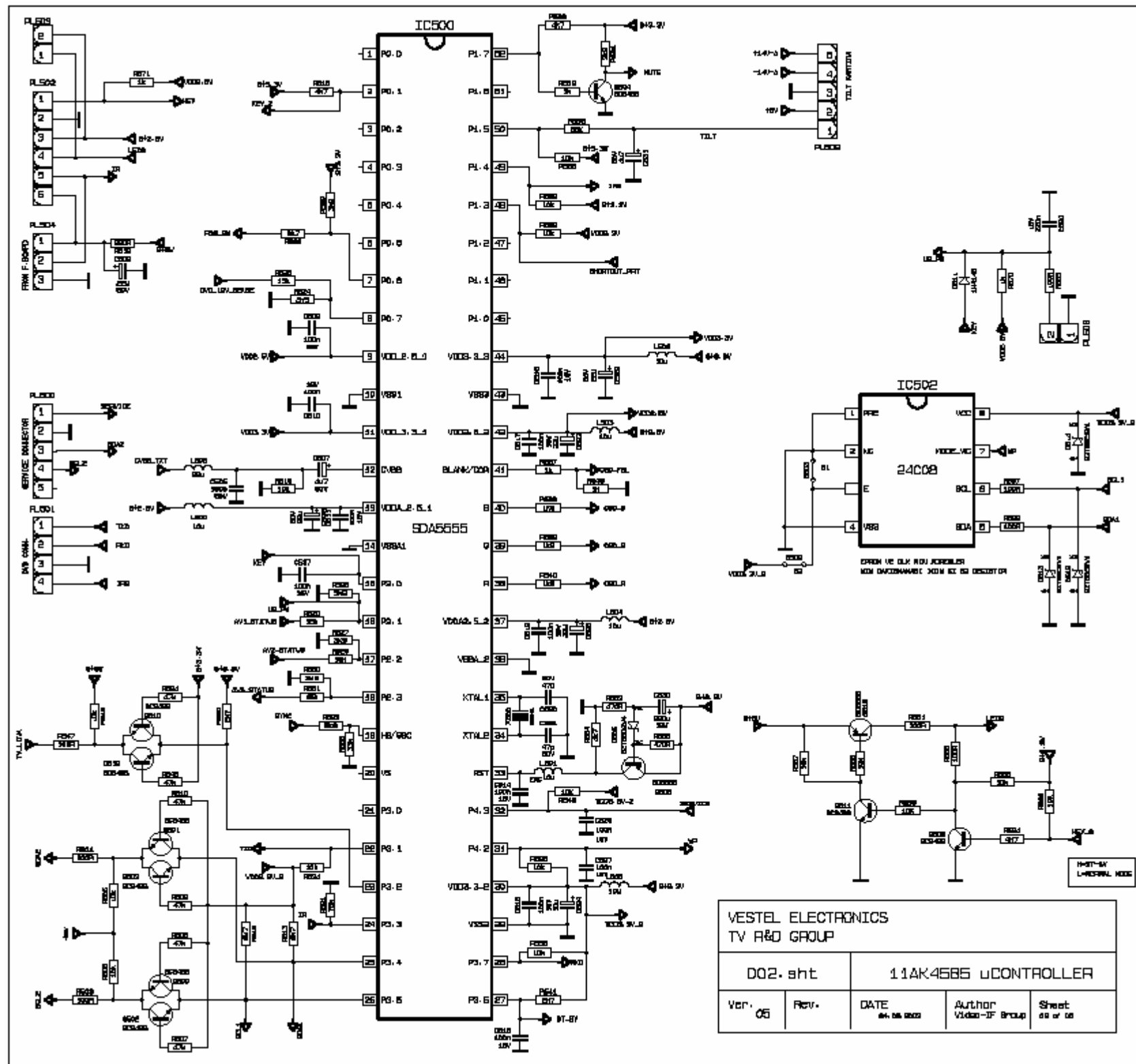
GENERAL BLOCK DIAGRAM OF CHASSIS 11 AK 45



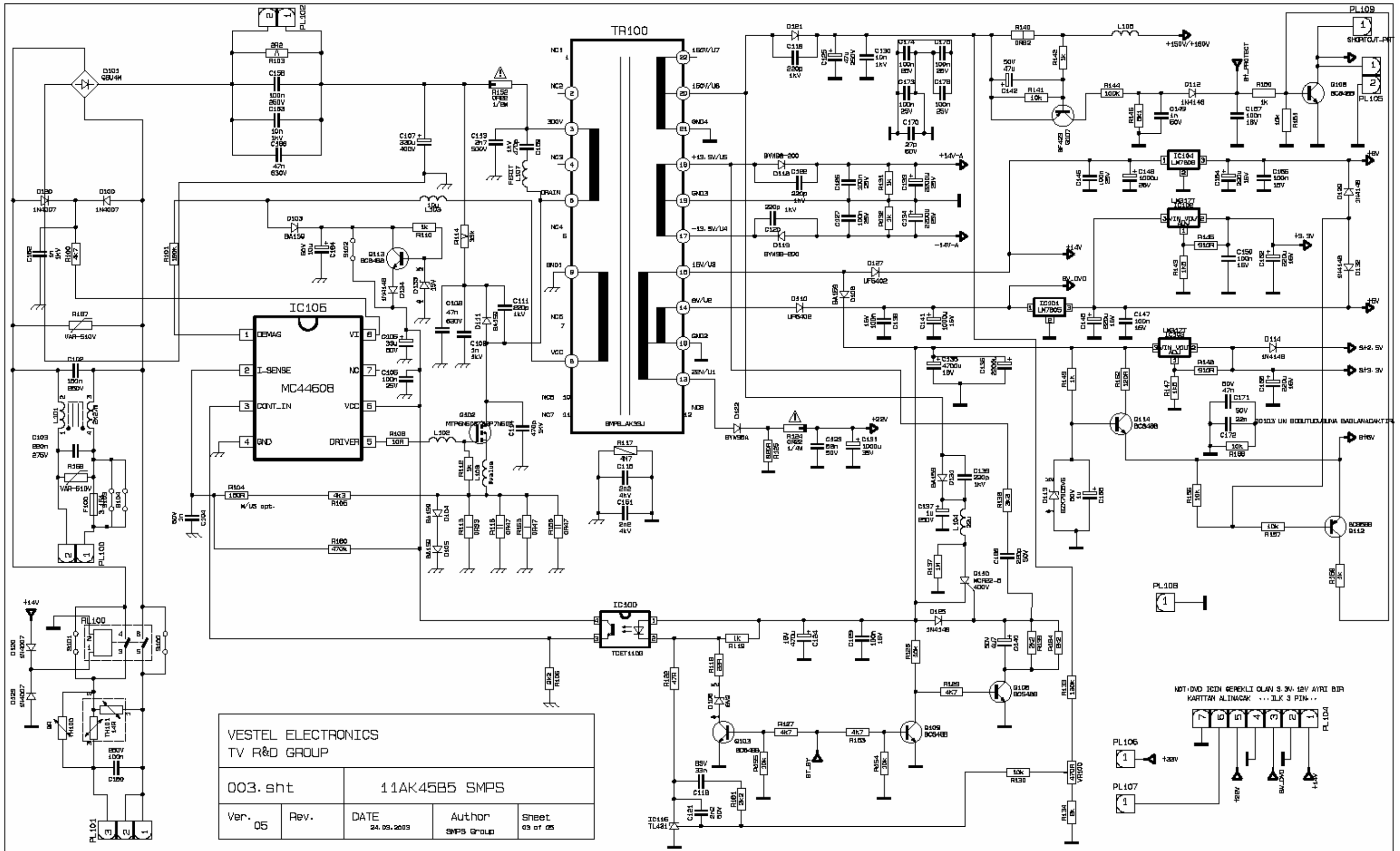
17.CIRCUIT DIAGRAMS



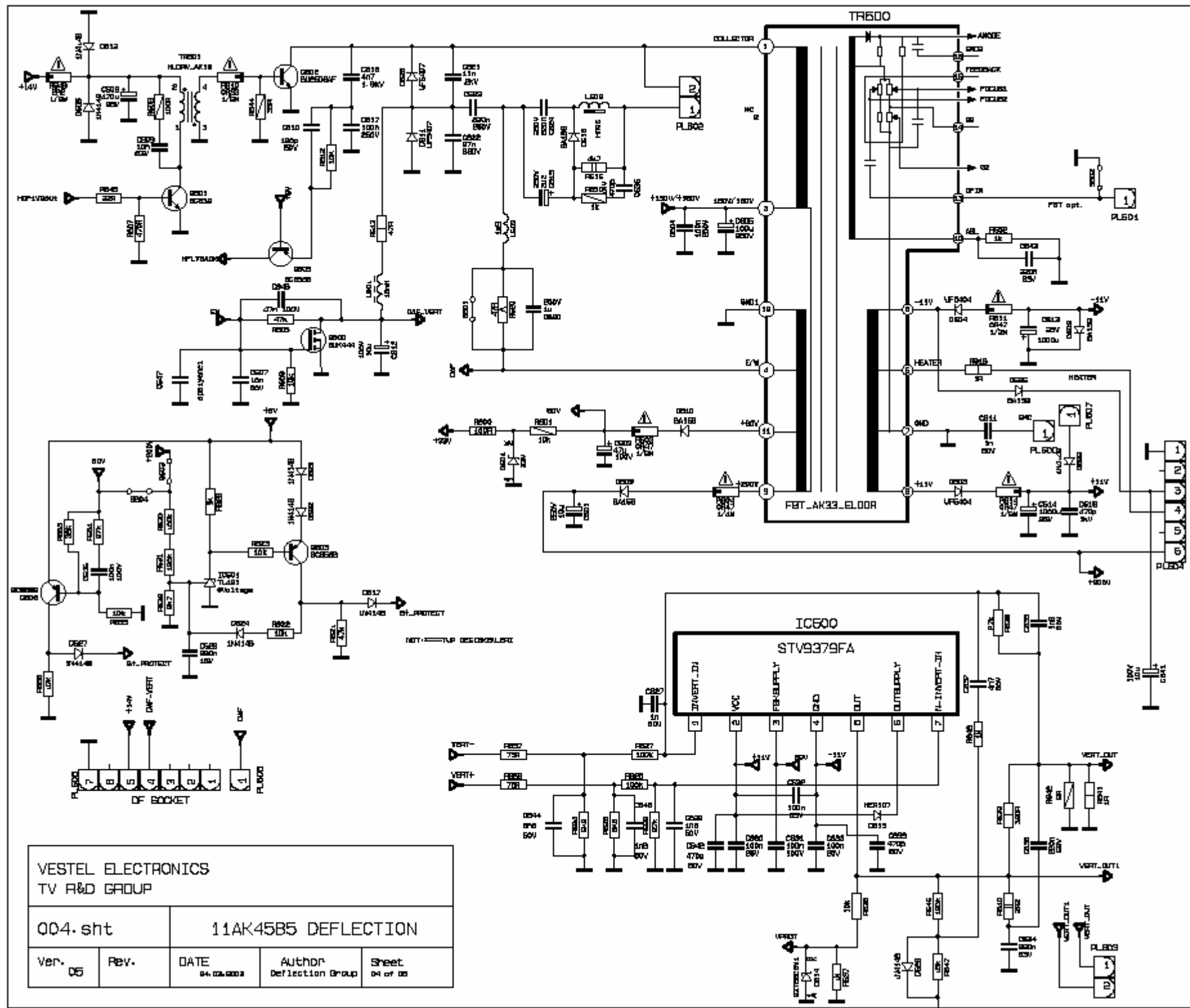
11AK45B5-1



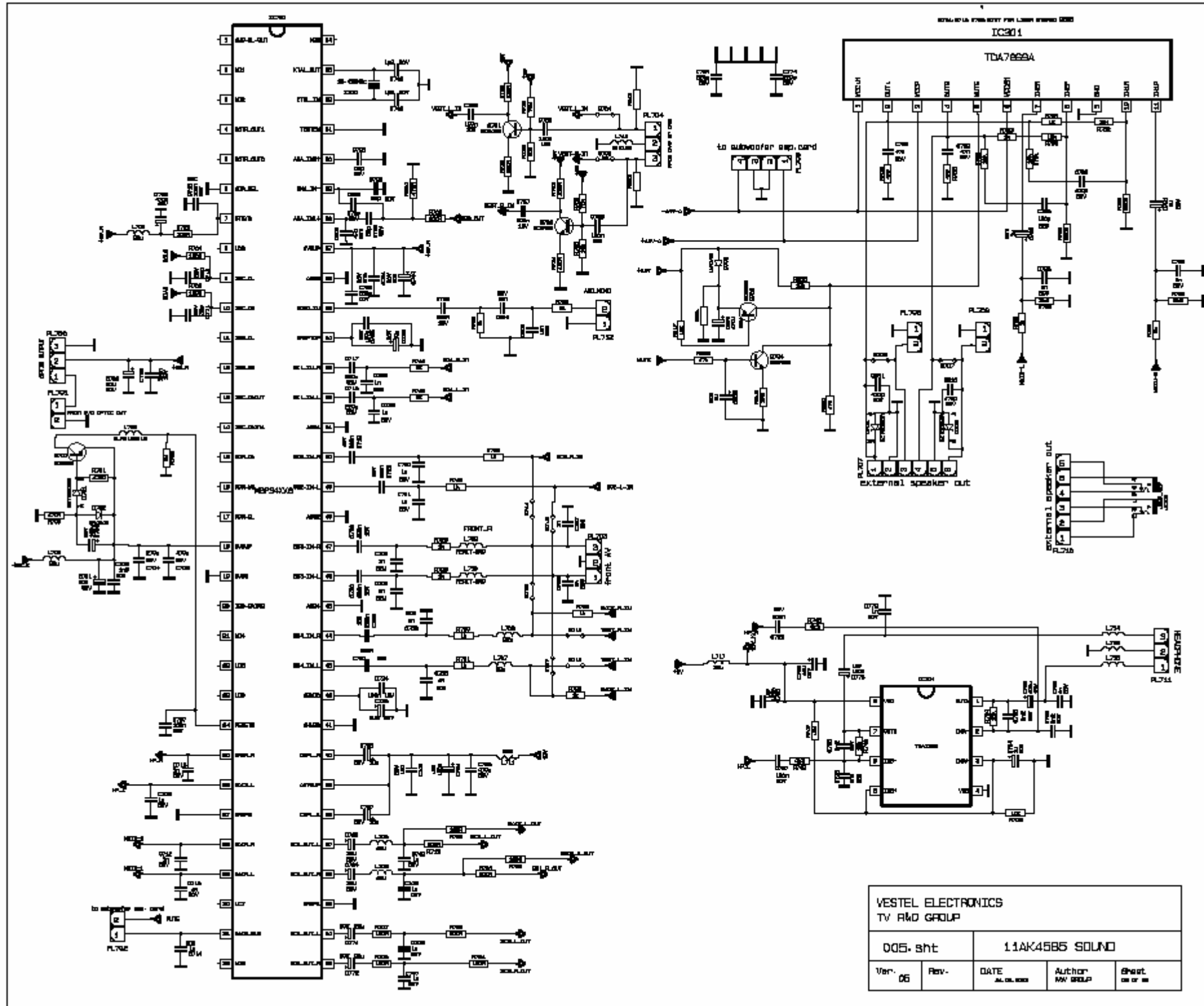
11AK45B5-2



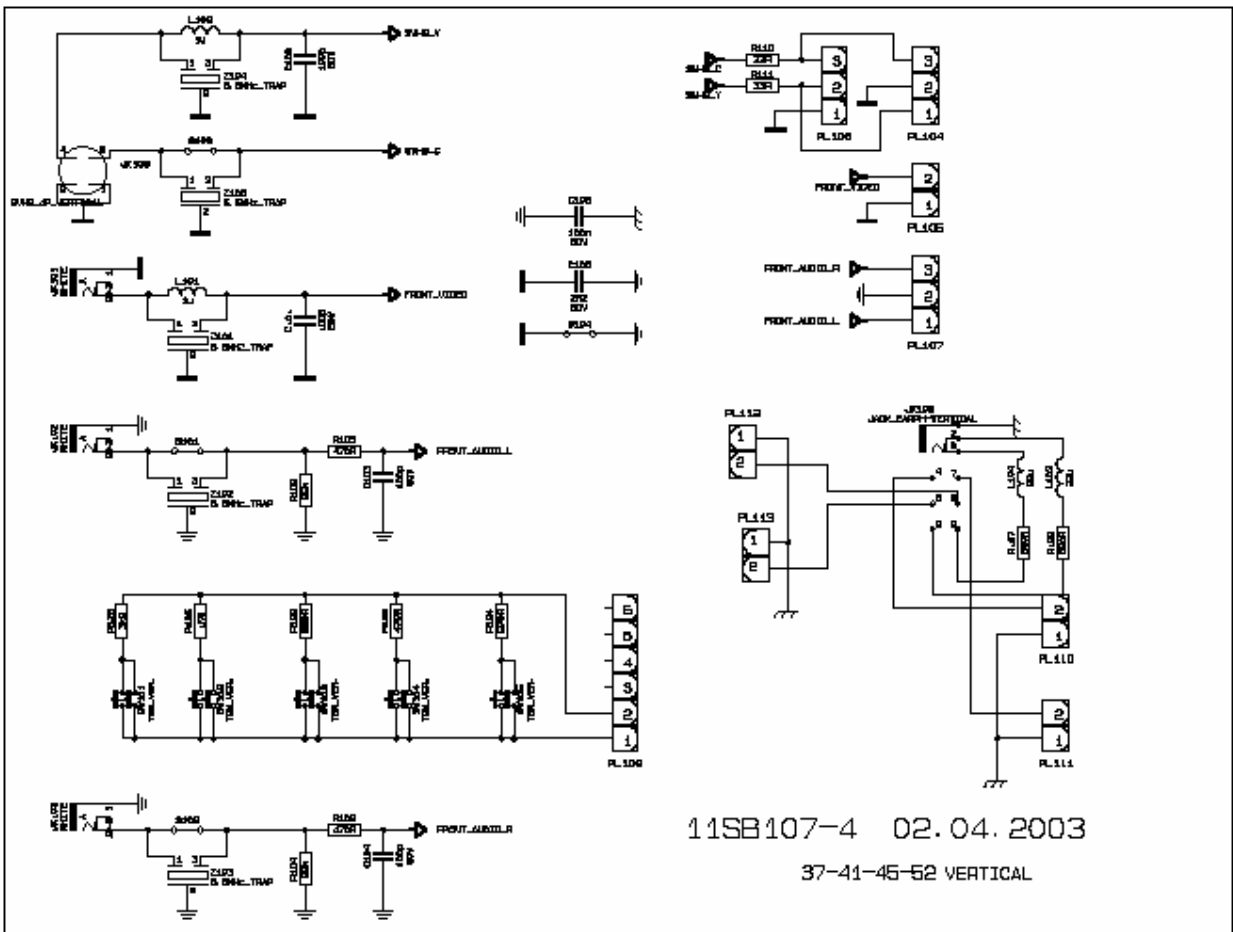
11AK45B5-3



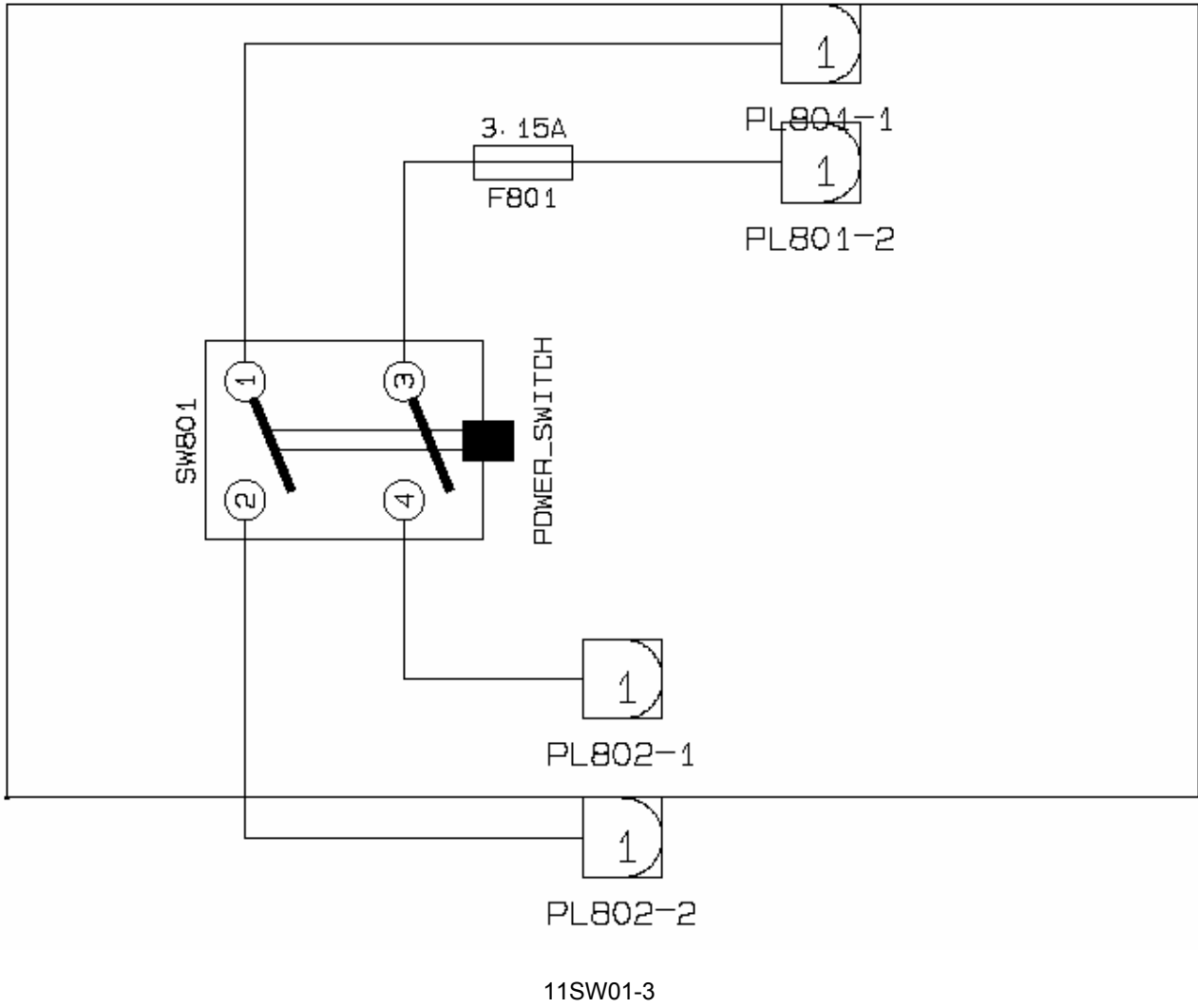
11AK45B5-4

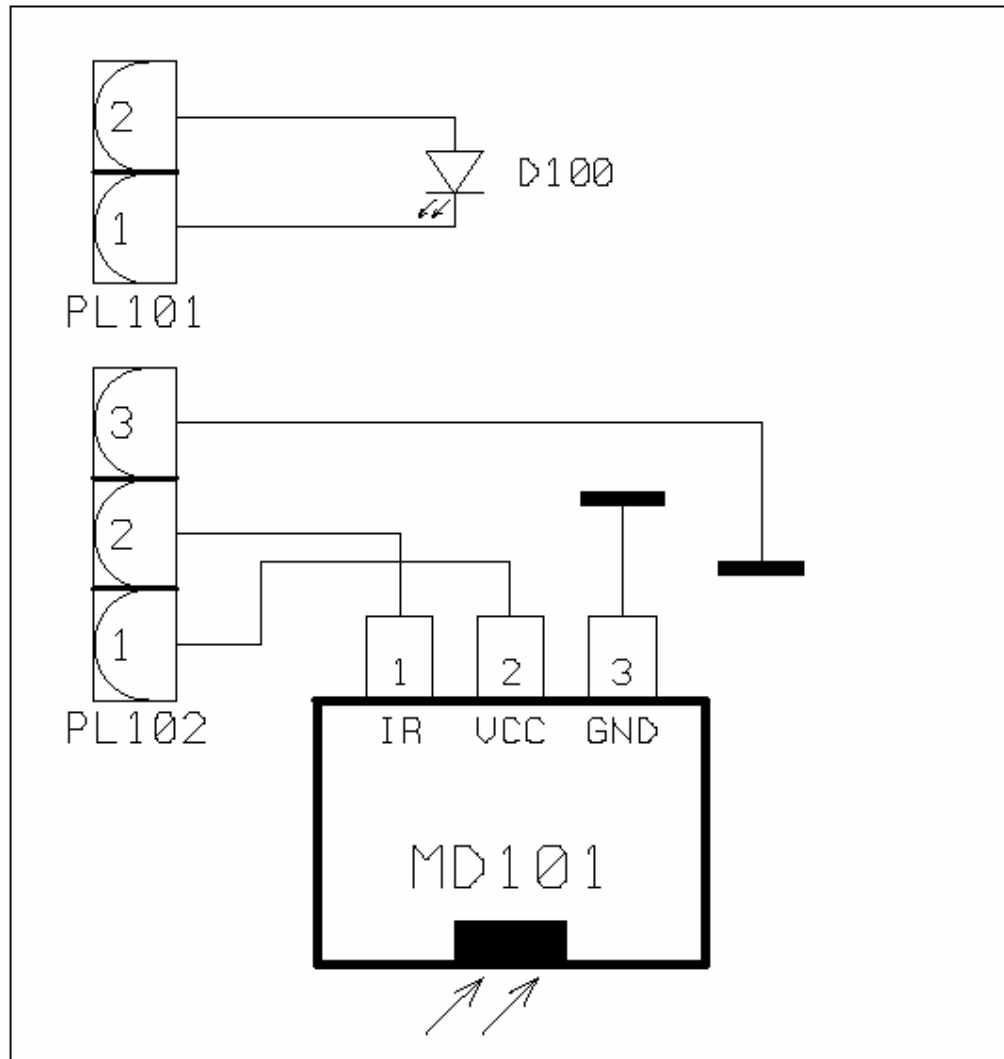


11AK45B5-5



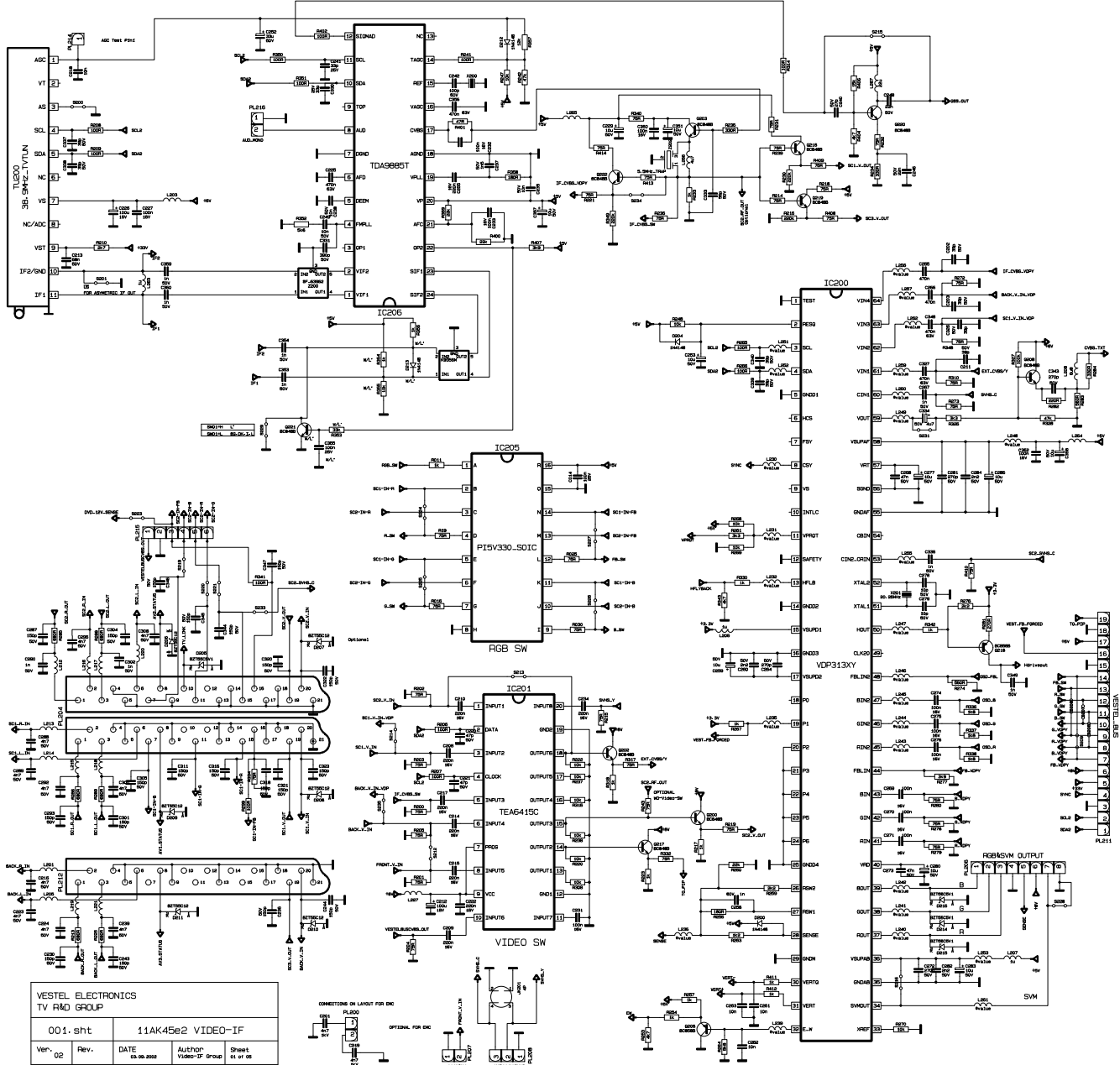
11SB107-4



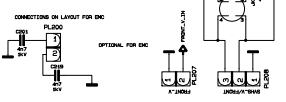


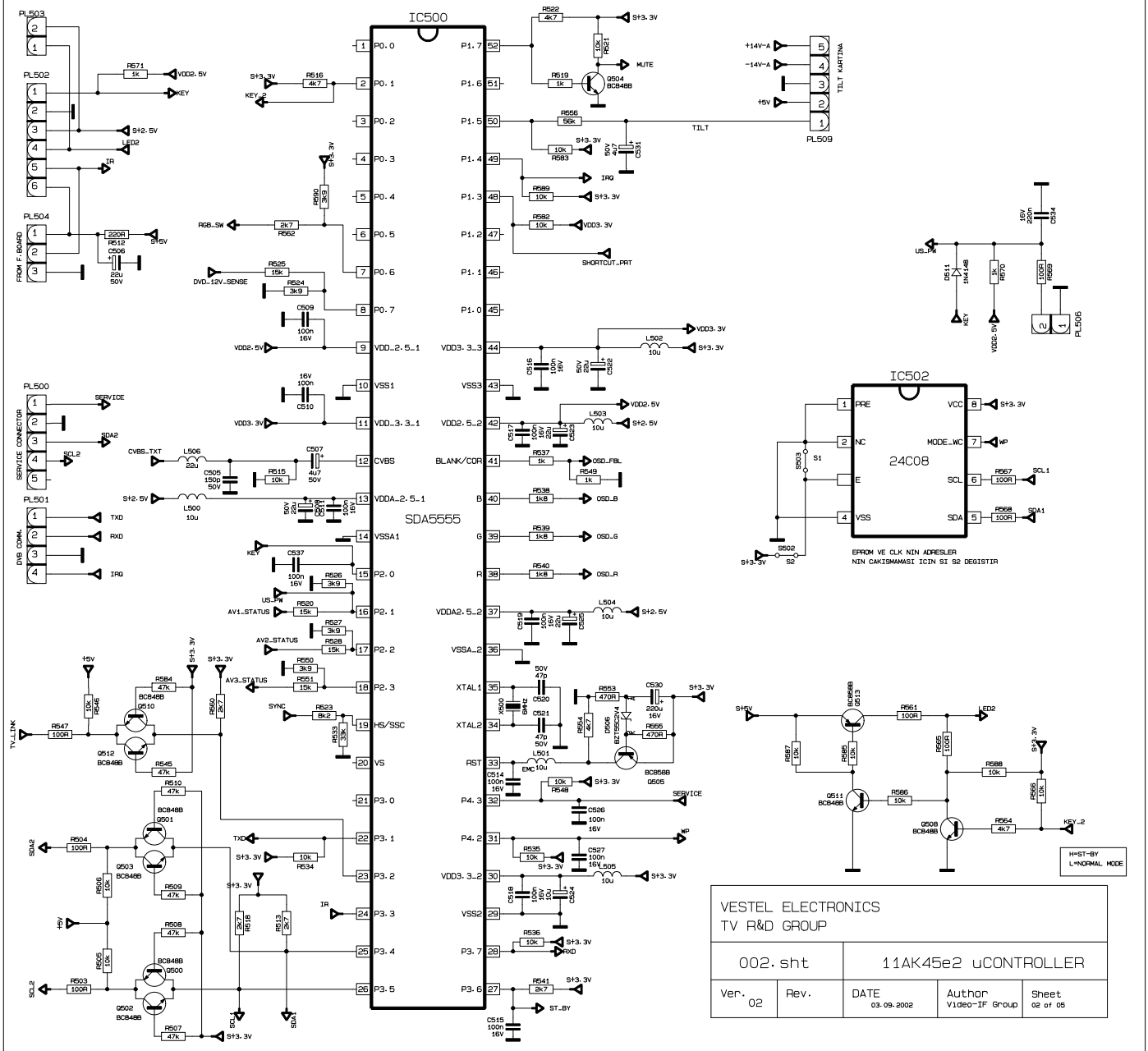
11LD13

1
2
3
4
5
6
7
8
9



VESTEL ELECTRONICS TV RAD GROUP			
001.sht	11AK45e2 VIDEO-IF		
Ver. 02	Rev.	DATE 05.09.2002	Sheet 1 of 05





1

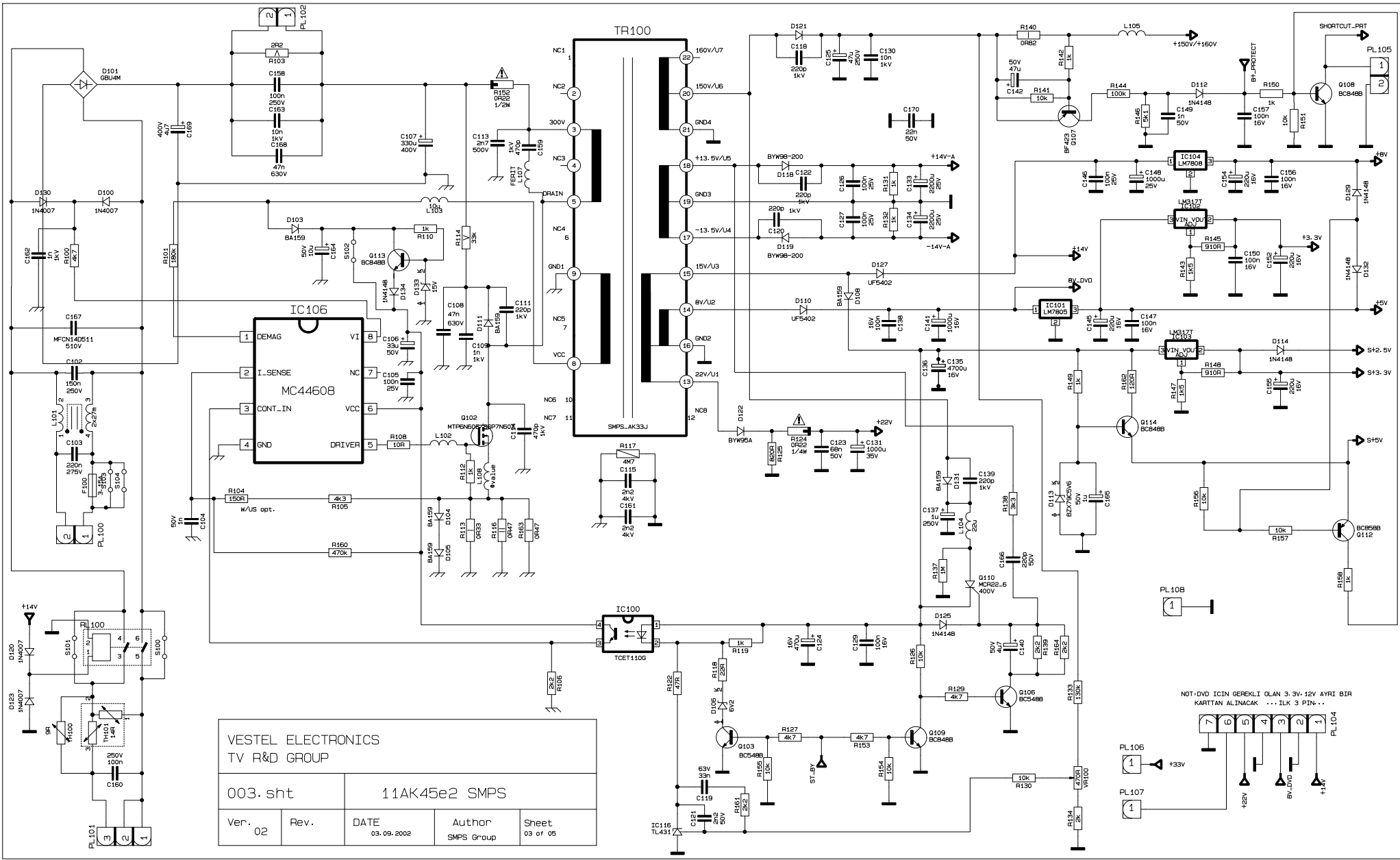
2

3

4

5

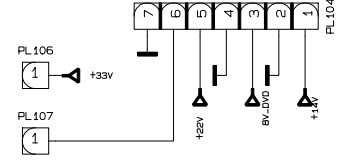
6

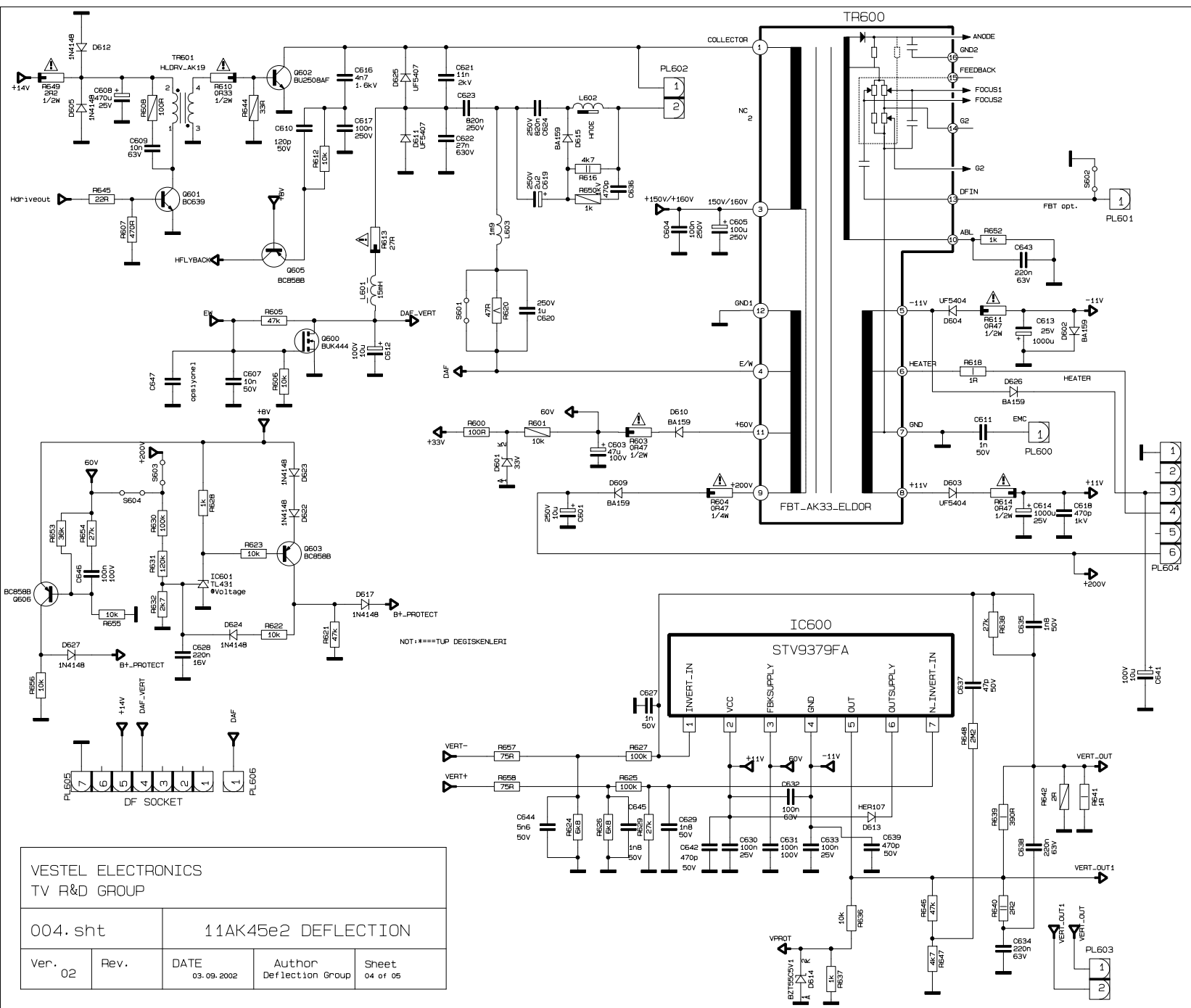


VESTEL ELECTRONICS
TV R&D GROUP

003. sht		11AK45e2 SMPS		
Ver.	Rev.	DATE	Author	Sheet
02		03.09.2002	SMPS Group	03 of 05

NOT-DVD ICIN GEREKLI OLAN 3.3V-12V AYRI BIR KARTTAN ALINACAK ... ILK 3 PIN ...





VESTEL ELECTRONICS TV R&D GROUP				
004.sht		11AK45e2 DEFLECTION		
Ver. 02	Rev.	DATE 03.09.2002	Author Deflection Group	Sheet 04 of 05

1

2

3

4

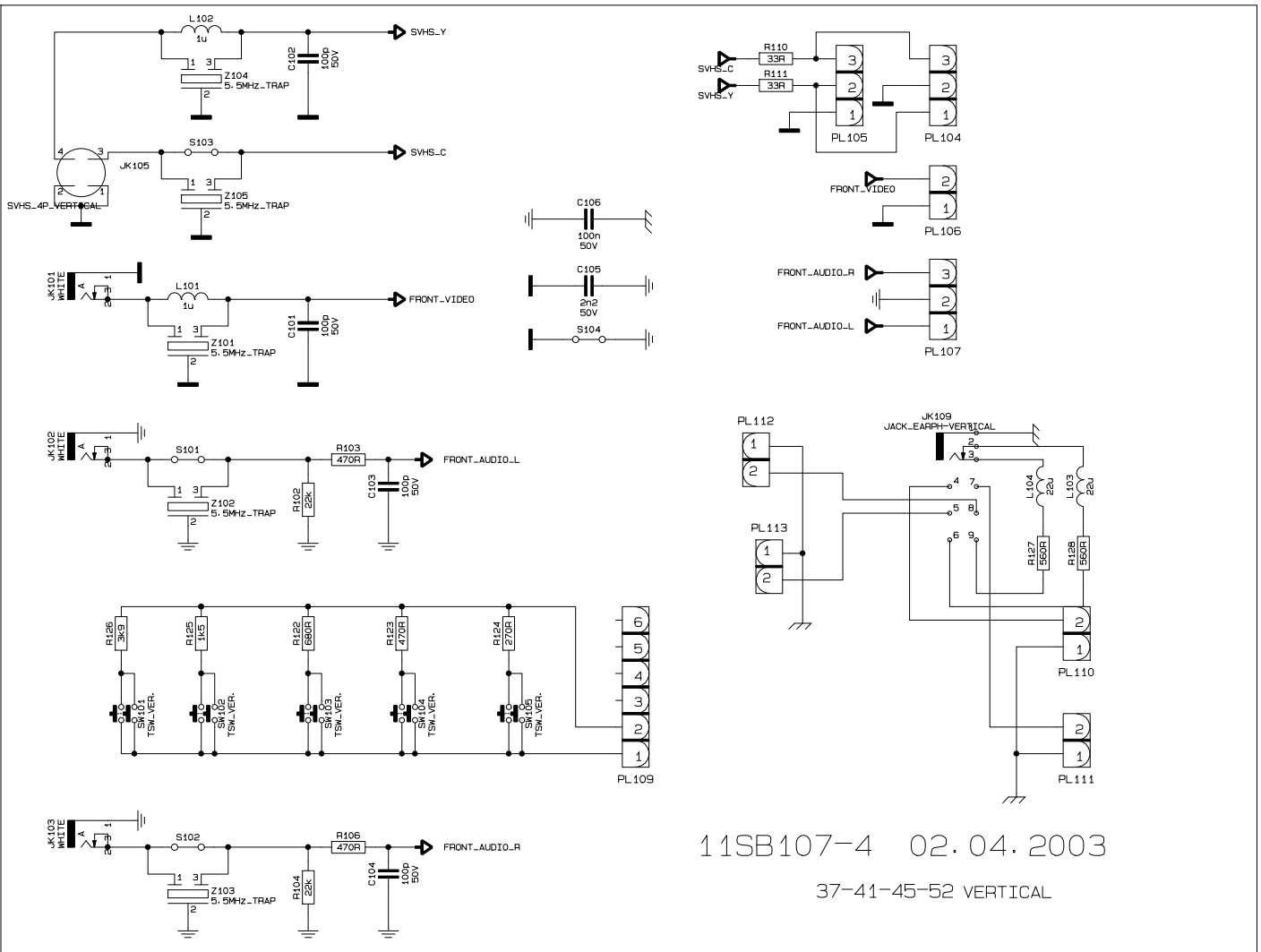
5

1

2

3

4



11SB107-4 02.04.2003
 37-41-45-52 VERTICAL

1

2

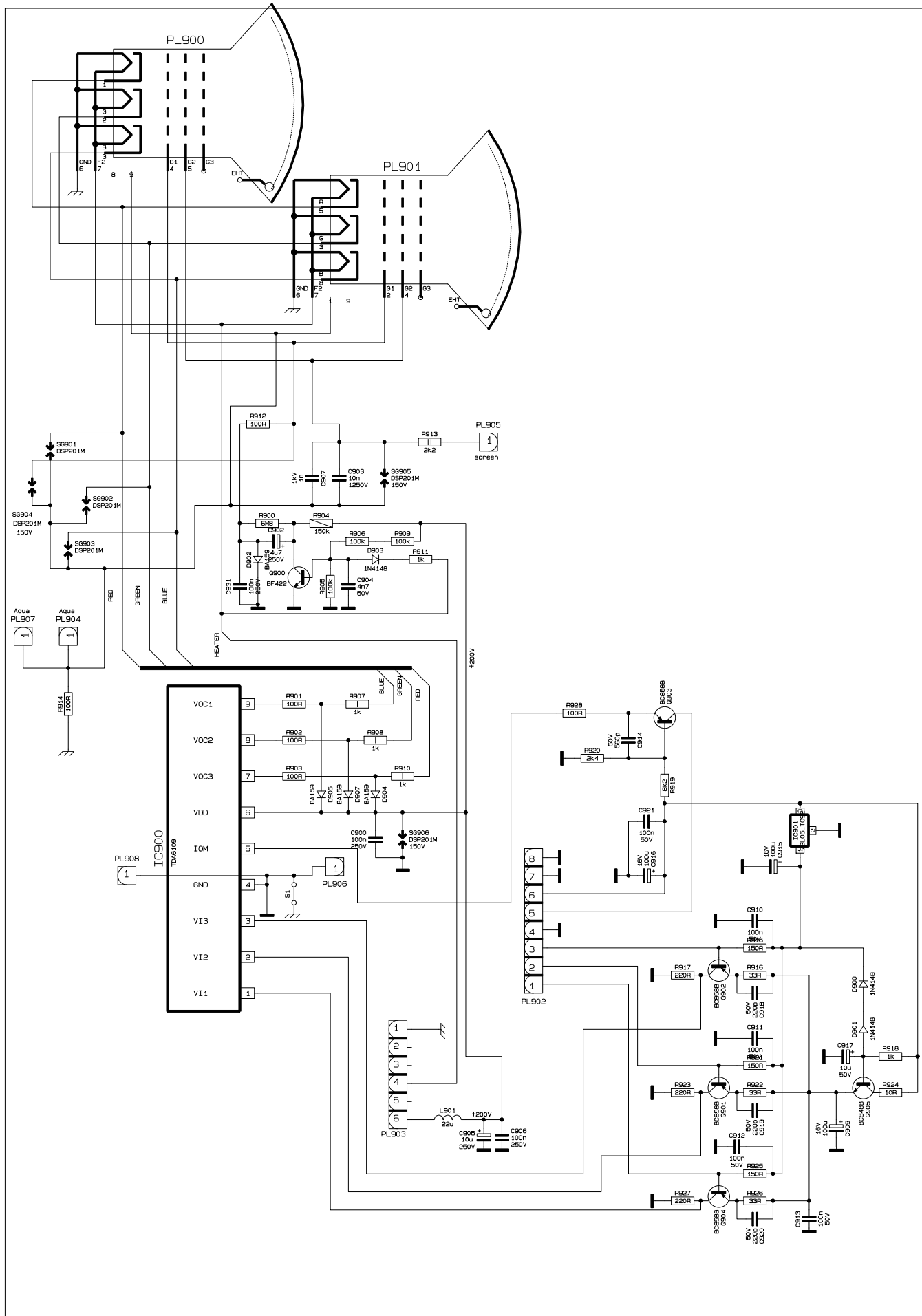
3

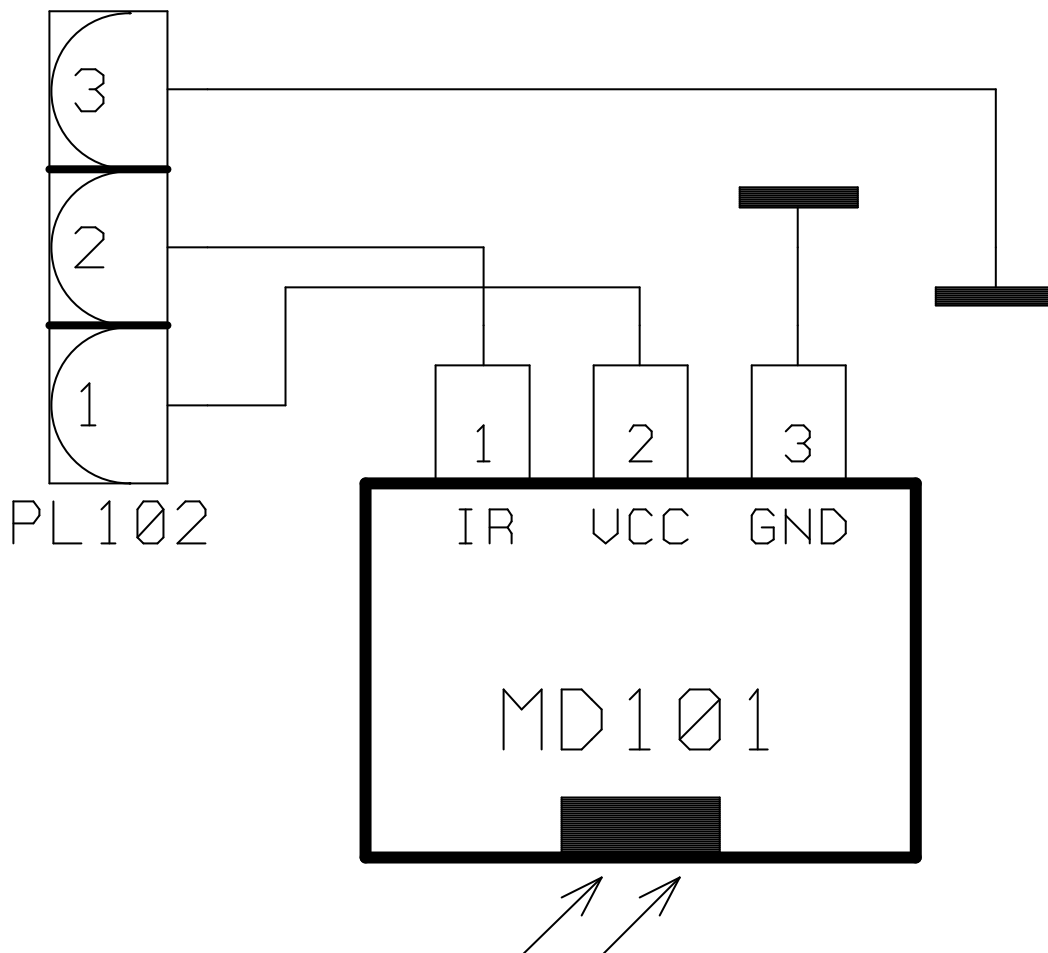
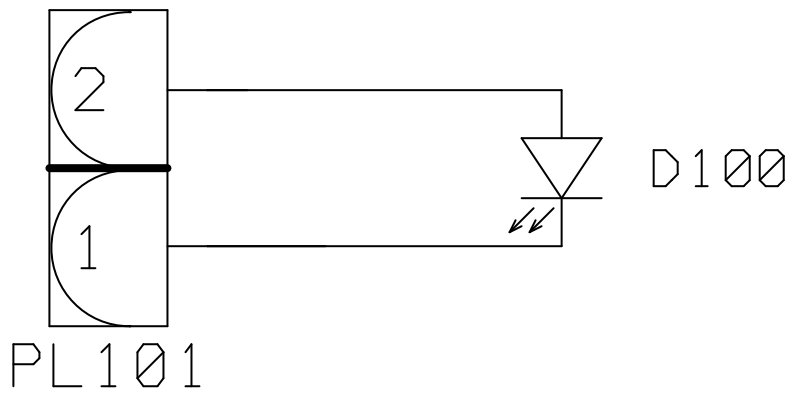
4

5

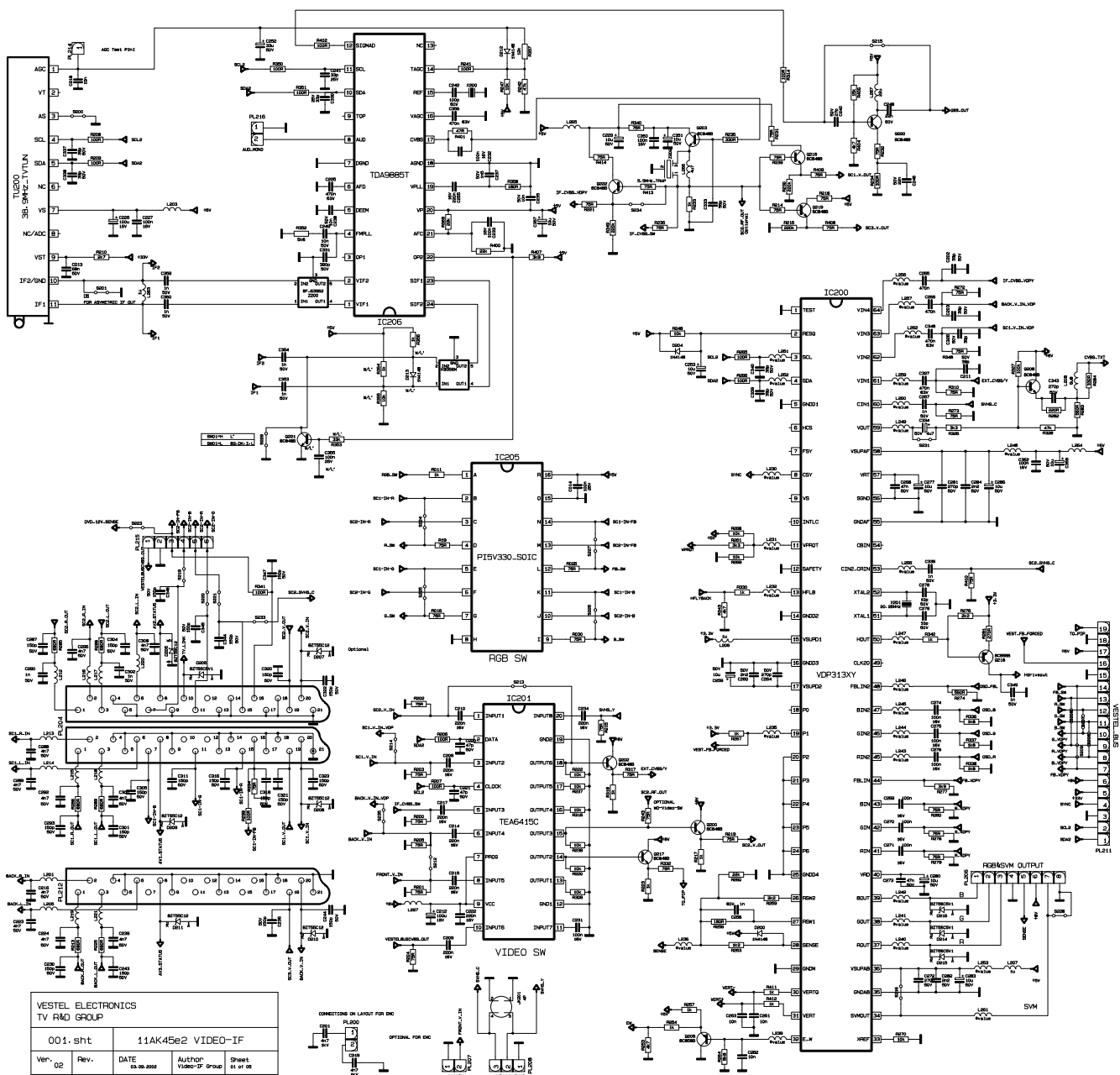
6

7

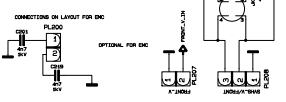


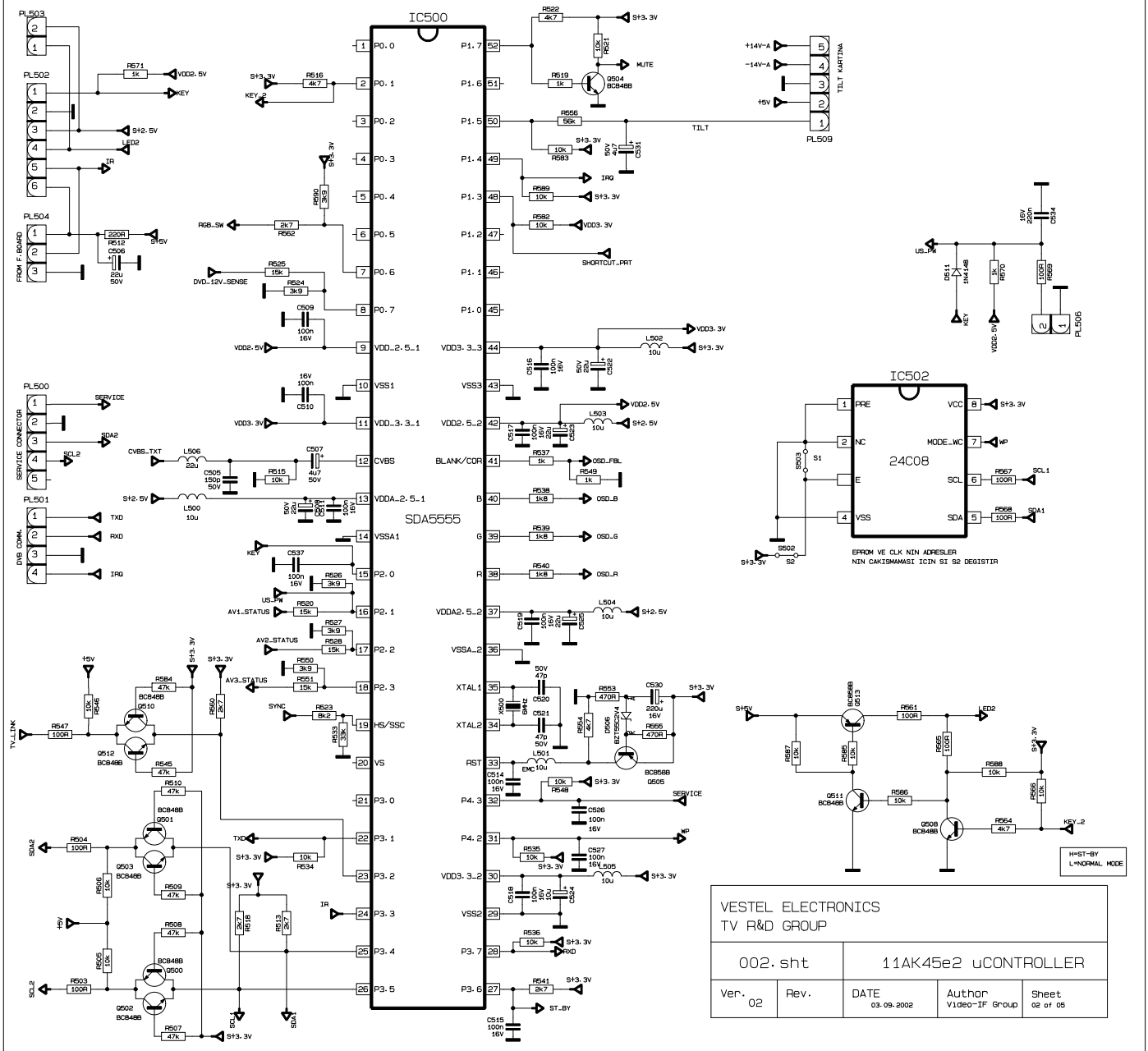


1
2
3
4
5
6
7
8
9



VESTEL ELECTRONICS TV RAD GROUP			
001.sht	11AK45e2 VIDEO-IF		
Ver. 02	Rev.	DATE 05.06.2002	Sheet 1 of 05
		AUTHOR VIDEO-IF GROUP	





1

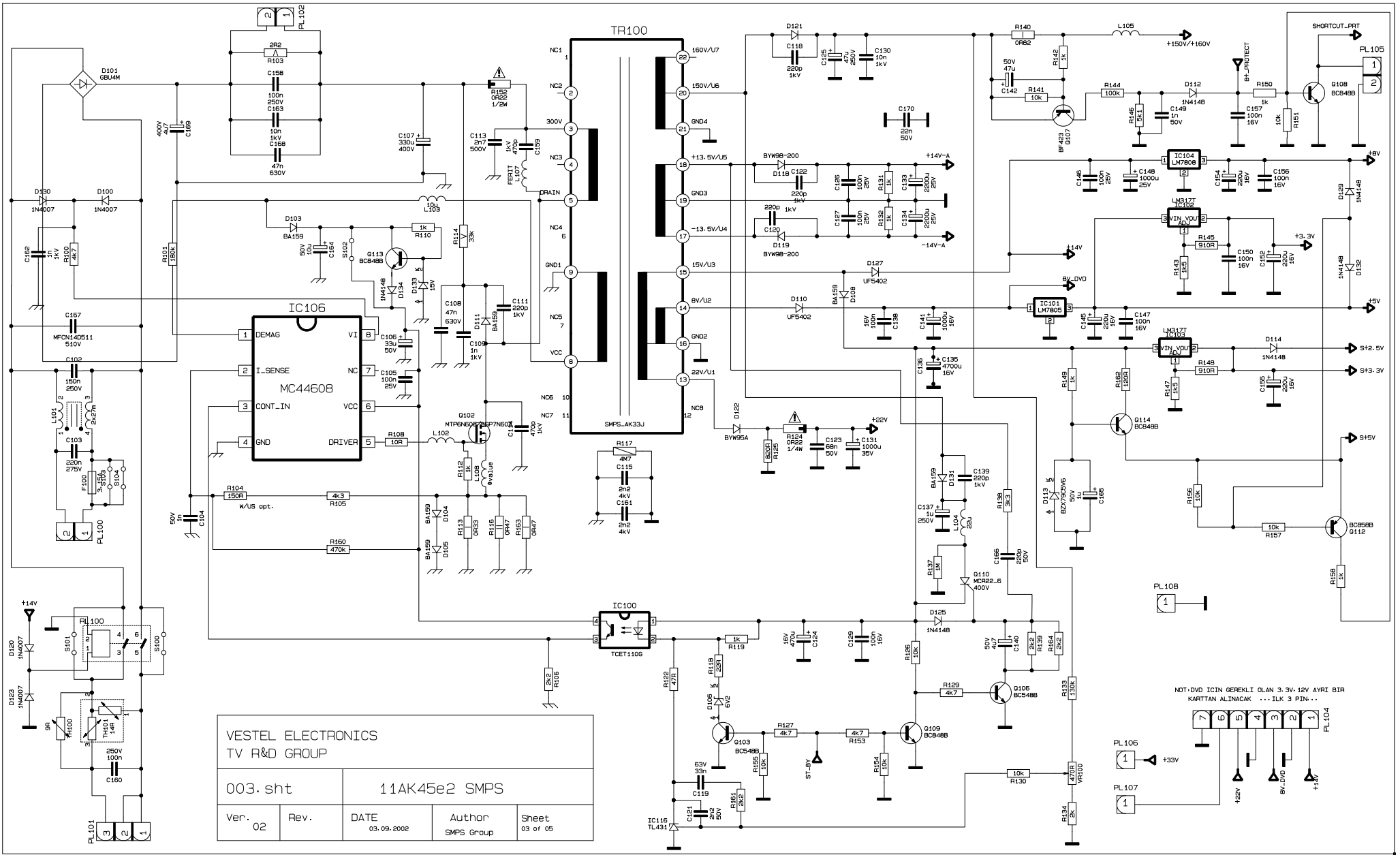
2

3

4

5

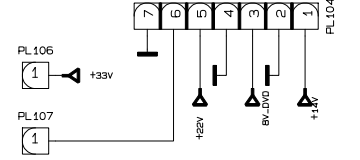
6



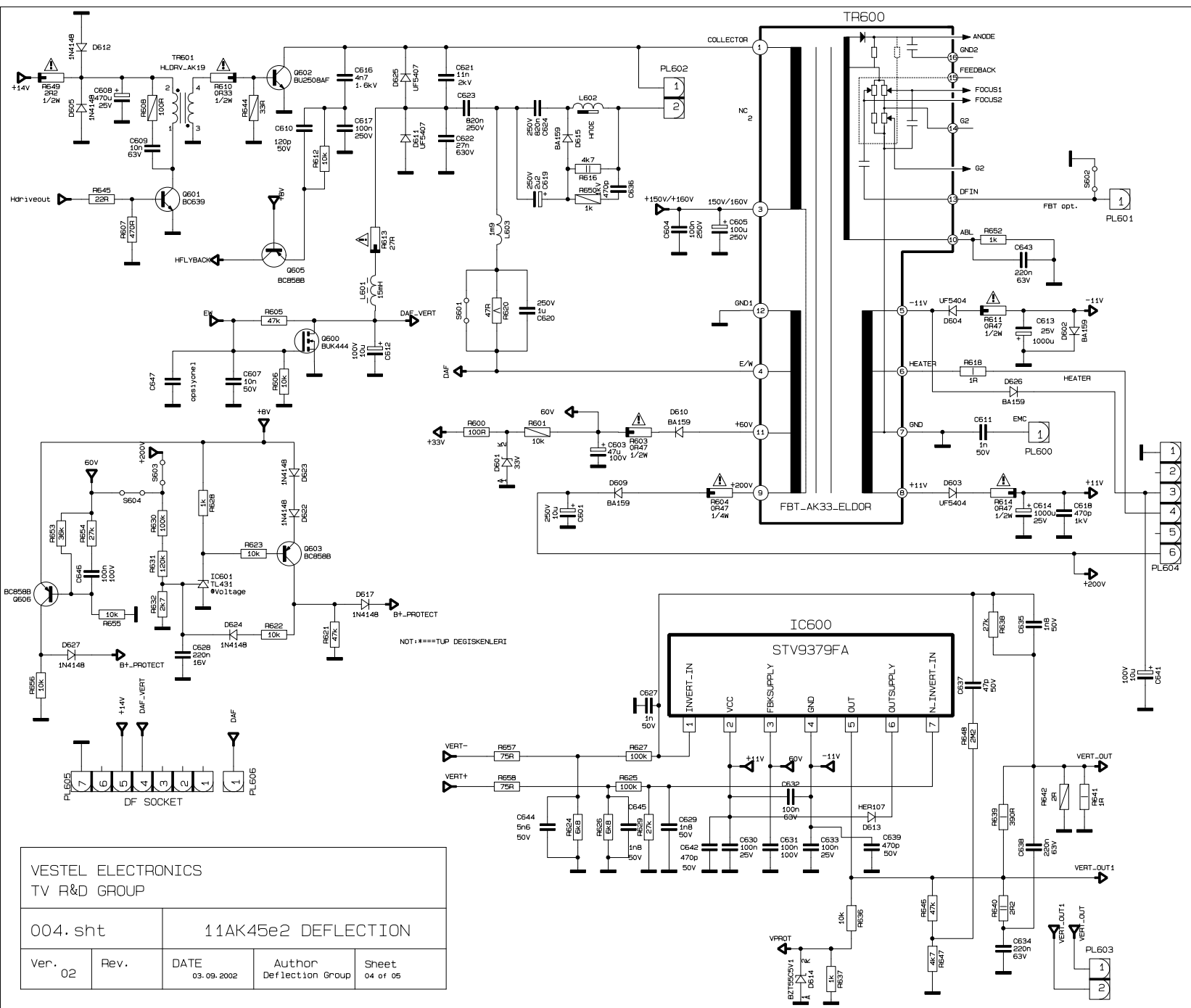
VESTEL ELECTRONICS
TV R&D GROUP

003. sht		11AK45e2 SMPS		
Ver.	Rev.	DATE	Author	Sheet
02		03.09.2002	SMPS Group	03 of 05

NOT-DVD ICIN GEREKLI OLAN 3-3V-12V AYRI BIR KARTTAN ALINACAK ... ILK 3 PIN ..

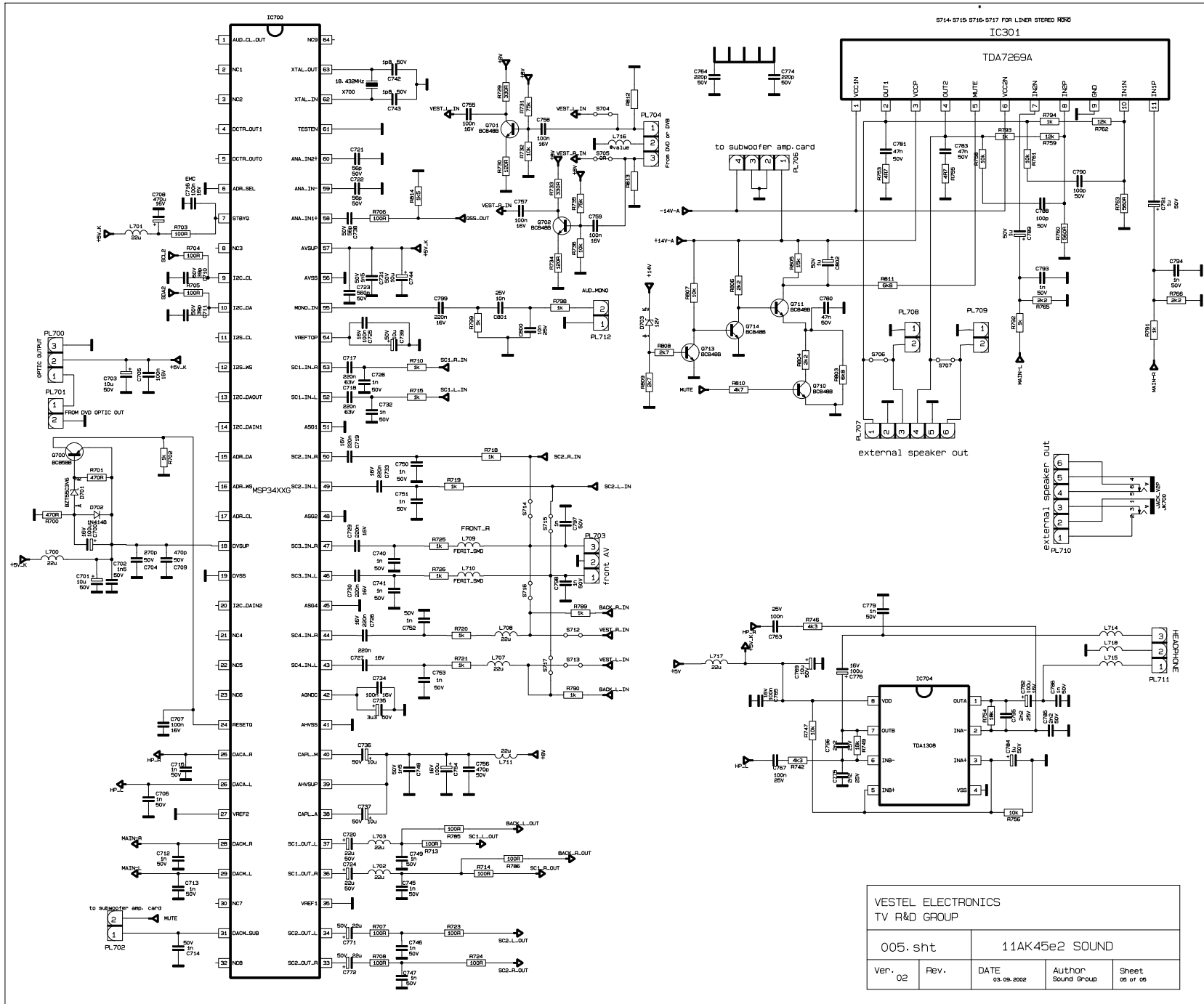


1
2
3
4
5

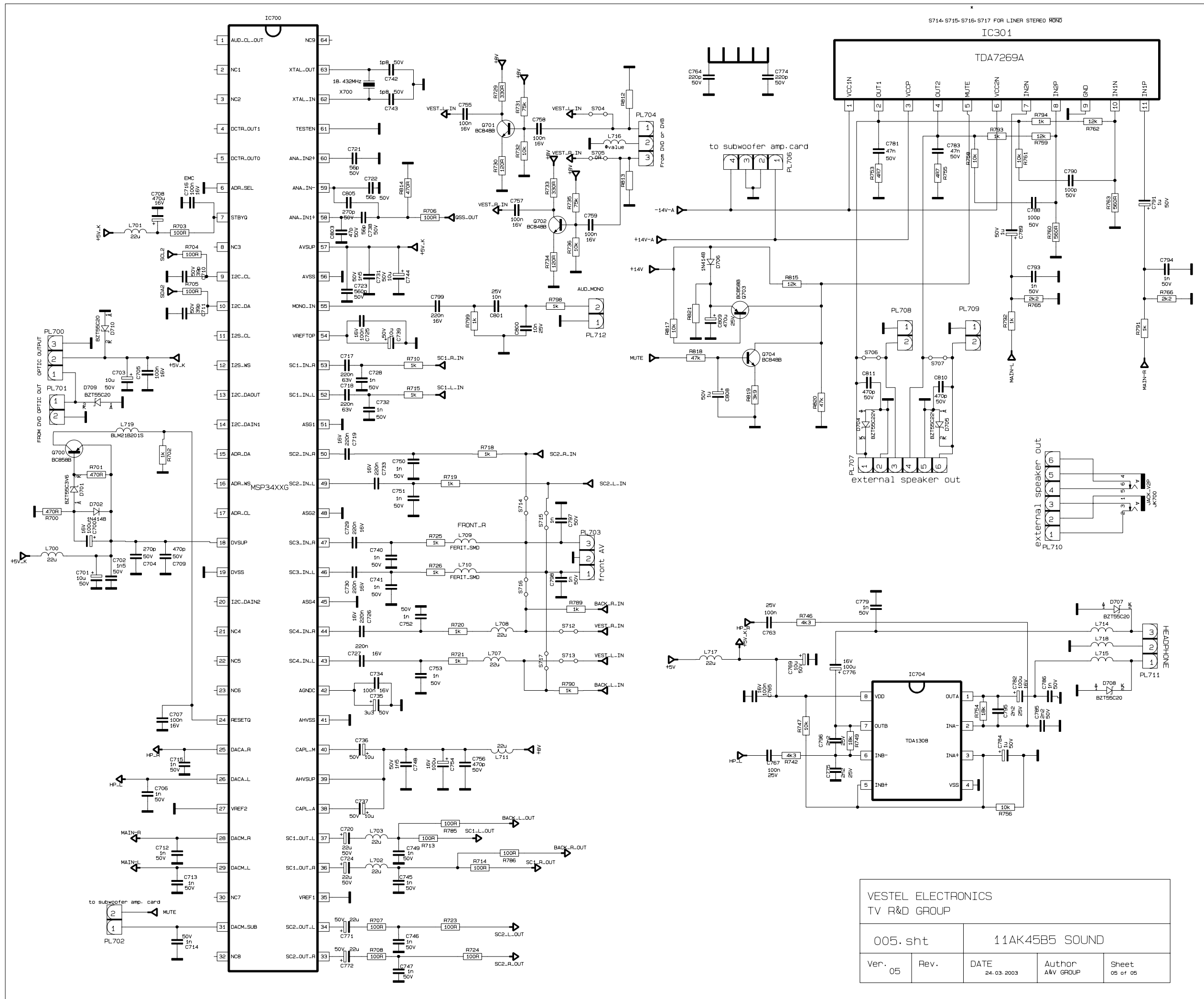


VESTEL ELECTRONICS TV R&D GROUP				
004.sht		11AK45e2 DEFLECTION		
Ver. 02	Rev.	DATE 03.09.2002	Author Deflection Group	Sheet 04 of 05

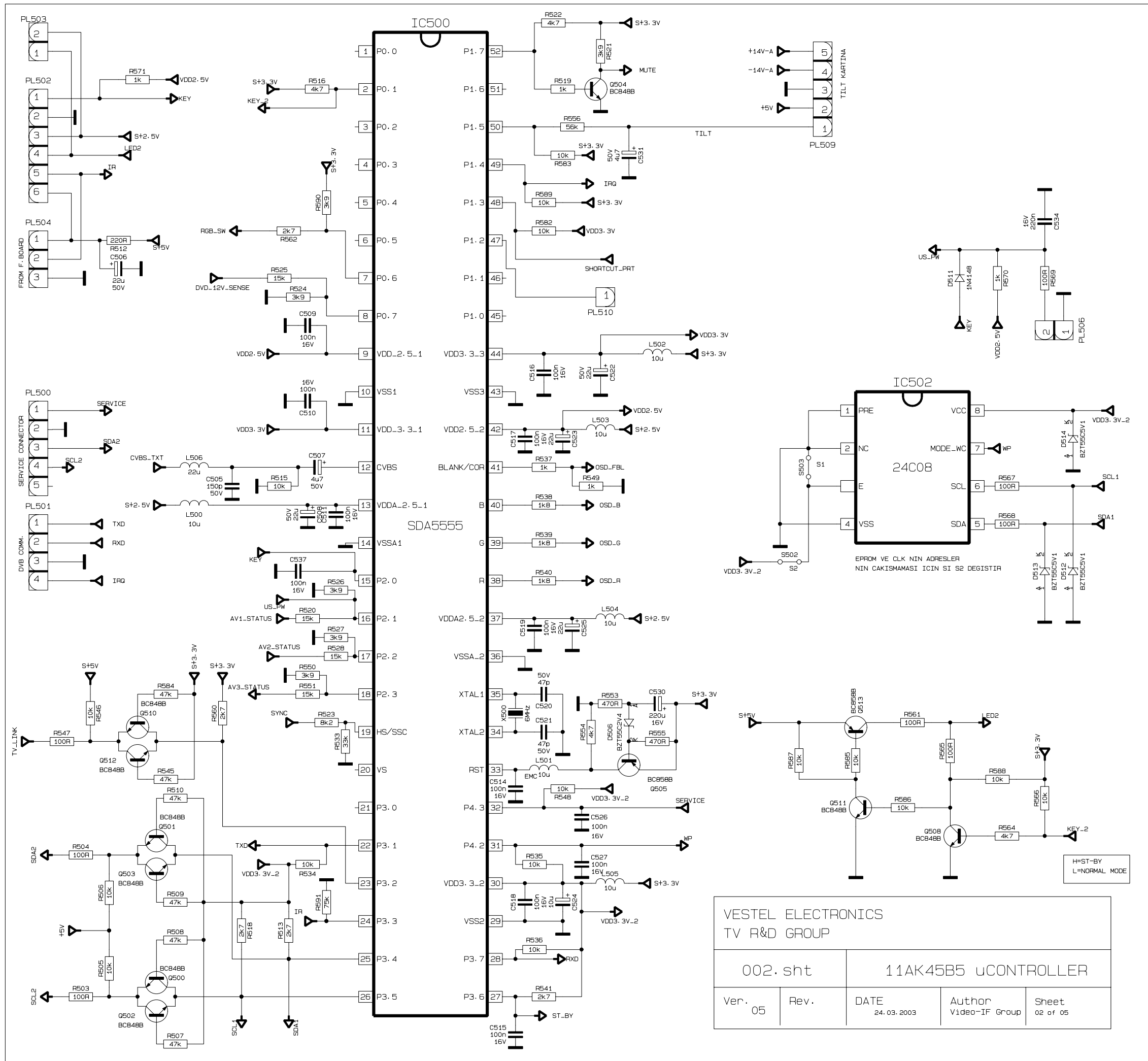
1
2
3
4
5



VESTEL ELECTRONICS TV R&D GROUP				
005.sht		11AK45e2 SOUND		
Ver. 02	Rev.	DATE 03.09.2002	Author Sound Group	Sheet 06 of 06



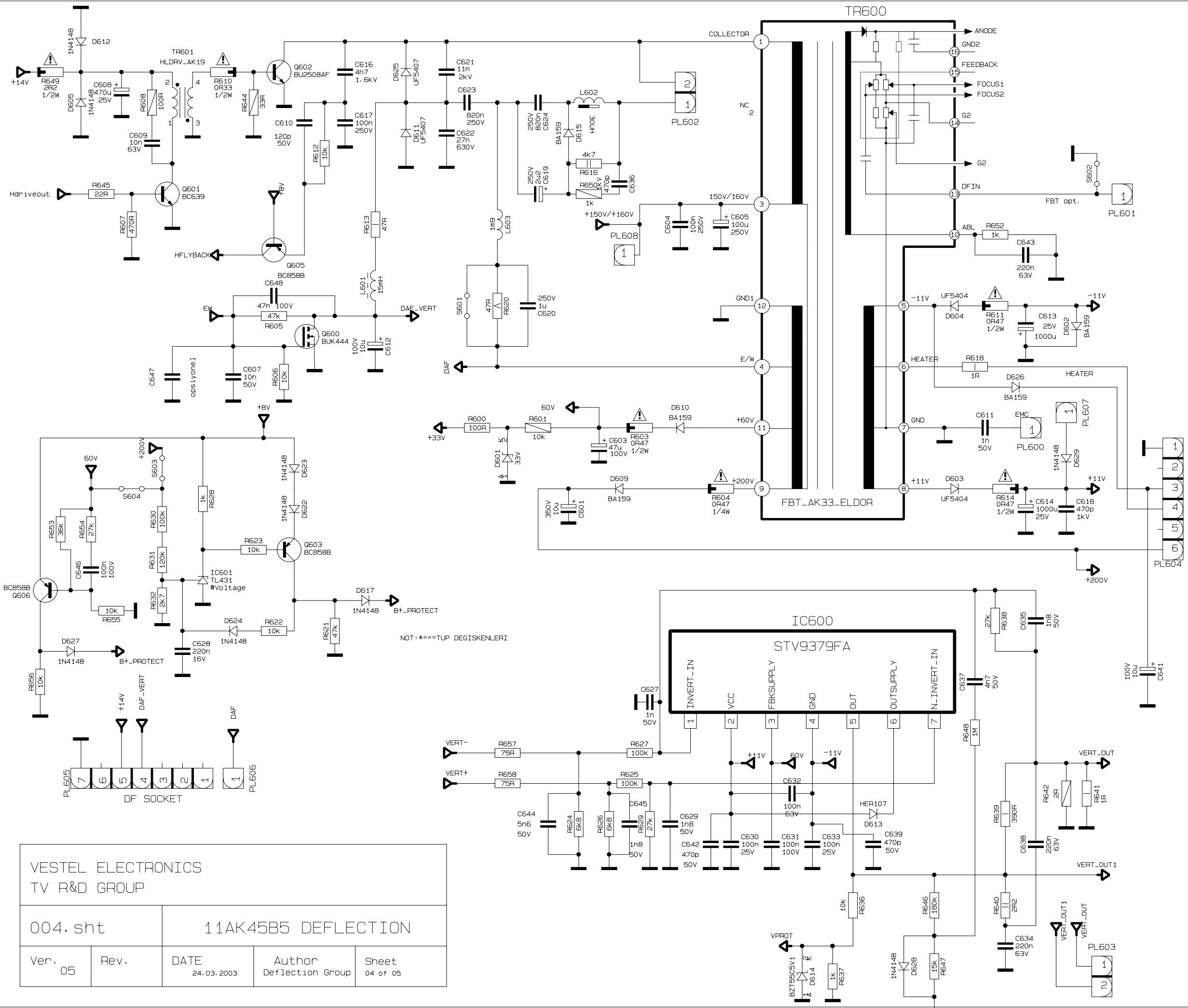
VESTEL ELECTRONICS TV R&D GROUP				
005.sht		11AK45B5 SOUND		
Ver. 05	Rev.	DATE 24.03.2003	Author A&V GROUP	Sheet 05 of 05



VESTEL ELECTRONICS
TV R&D GROUP

002.sht		11AK45B5 uCONTROLLER		
Ver. 05	Rev.	DATE 24.03.2003	Author Video-IF Group	Sheet 02 of 05

H=ST-BY
L=NORMAL MODE



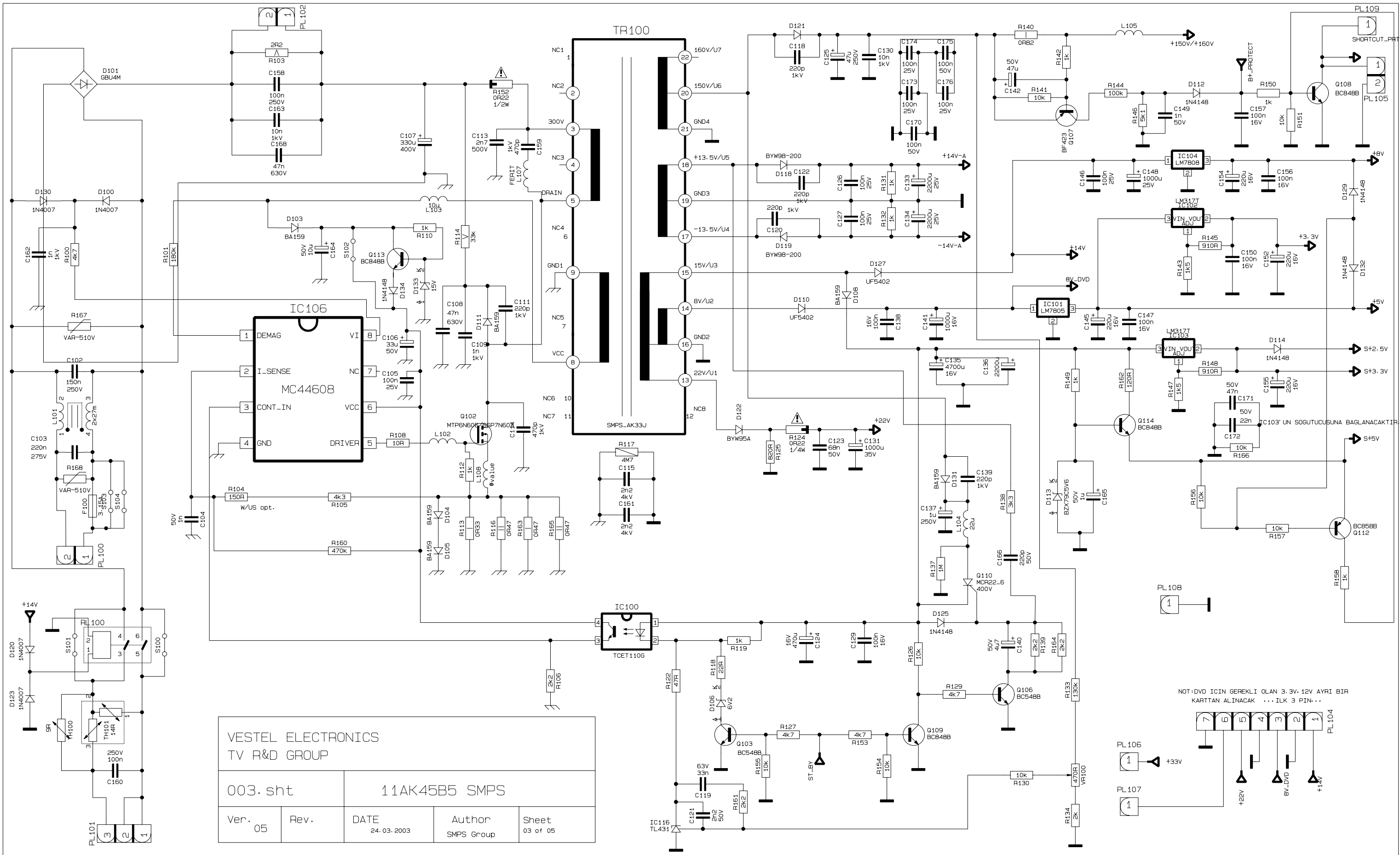
VESTEL ELECTRONICS
TV R&D GROUP

004.sht

11AK45B5 DEFLECTION

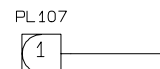
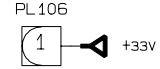
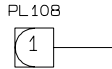
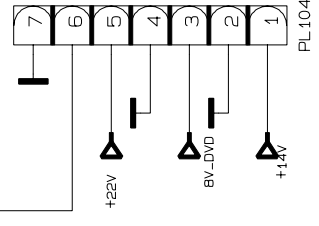
Ver. 05	Rev.	DATE 24.03.2003	Author Deflection Group	Sheet 04 of 05
------------	------	--------------------	----------------------------	-------------------

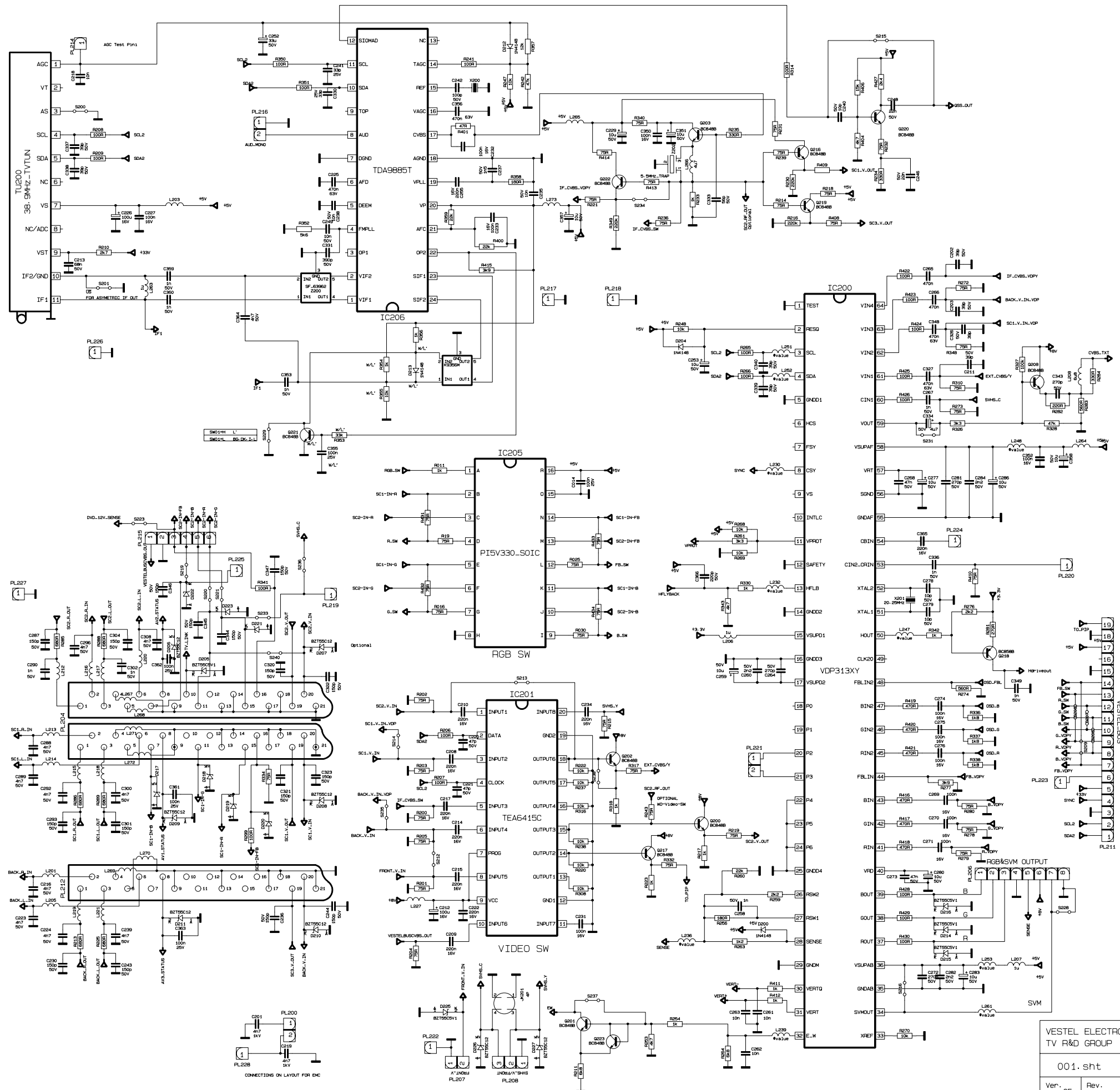
NOT: *===TUP DEGİSKENLERİ



VESTEL ELECTRONICS TV R&D GROUP				
003.sht		11AK45B5 SMPS		
Ver. 05	Rev.	DATE 24.03.2003	Author SMPS Group	Sheet 03 of 05

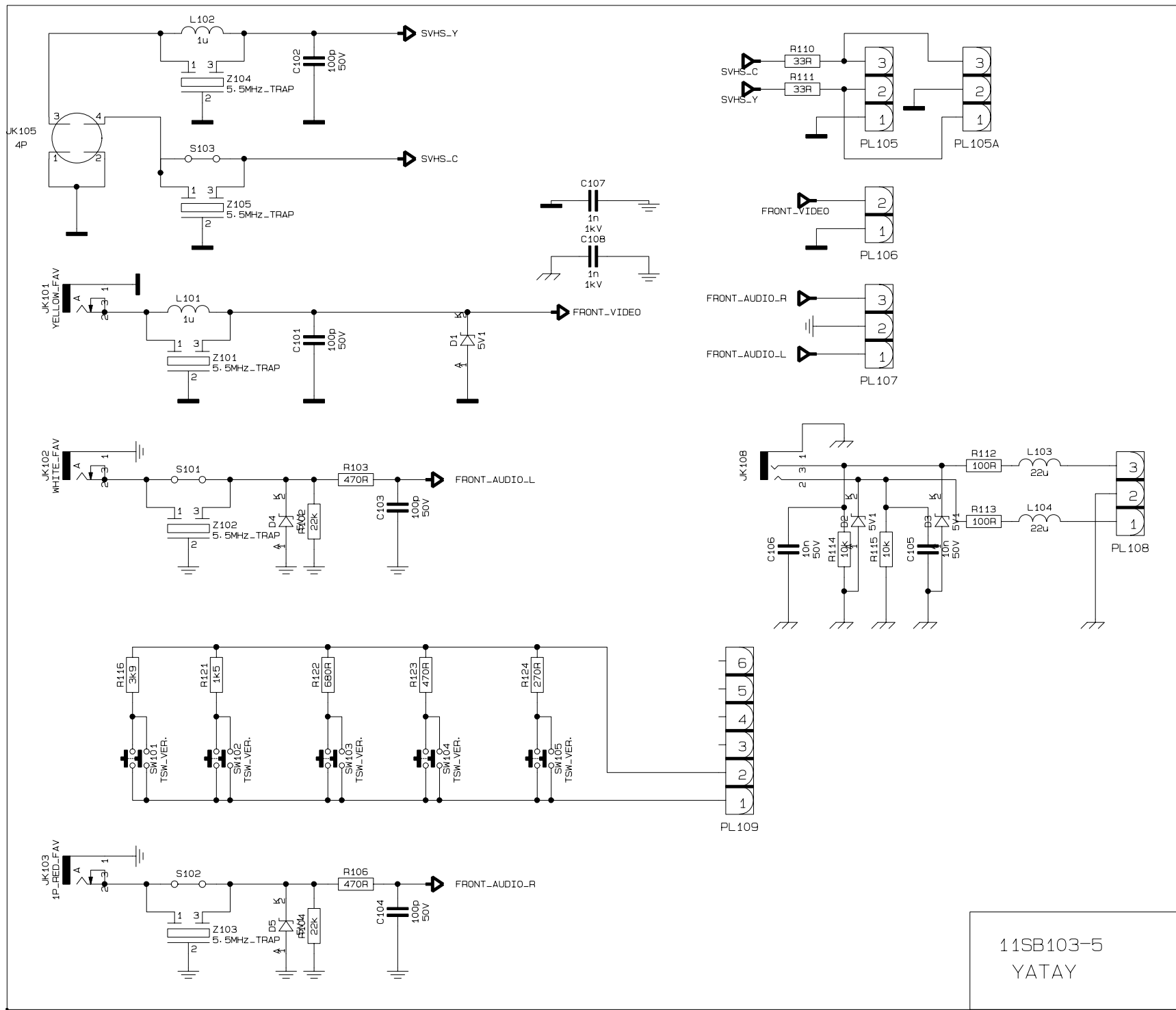
NOT: DVD ICIN GEREKLI OLAN 3.3V, 12V AYRI BIR KARTTAN ALINACAK ... ILK 3 PIN ...





VESTEL ELECTRONICS TV R&D GROUP	
001.sht	11AK45B5 VIDEO-IF
Ver. 05	Rev. DATE 24.03.2003 Author Video-IF Group Sheet 01 of 05

CONNECTIONS ON LAYOUT FOR EMC



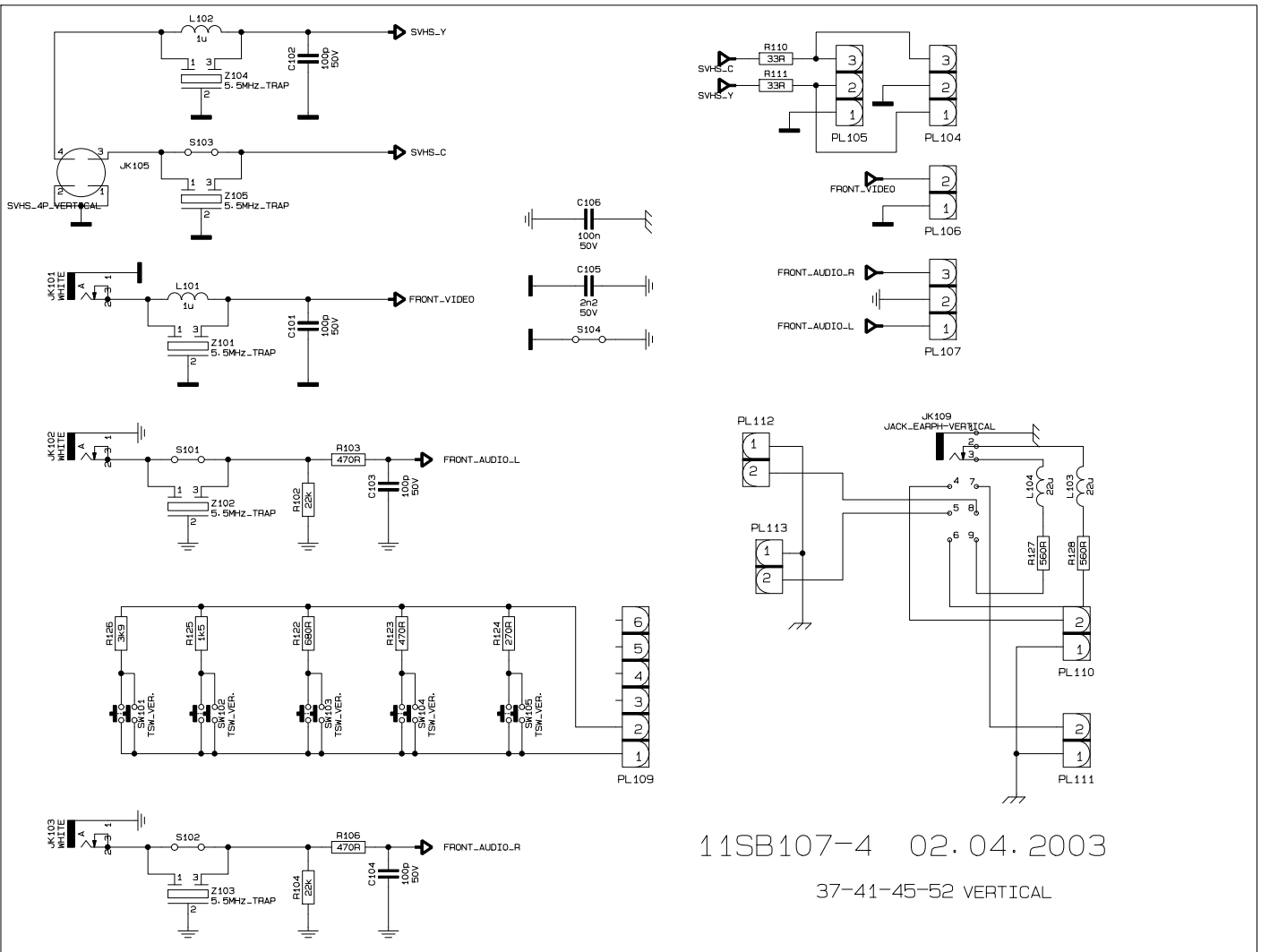
11SB103-5
YATAY

1

2

3

4



1

2

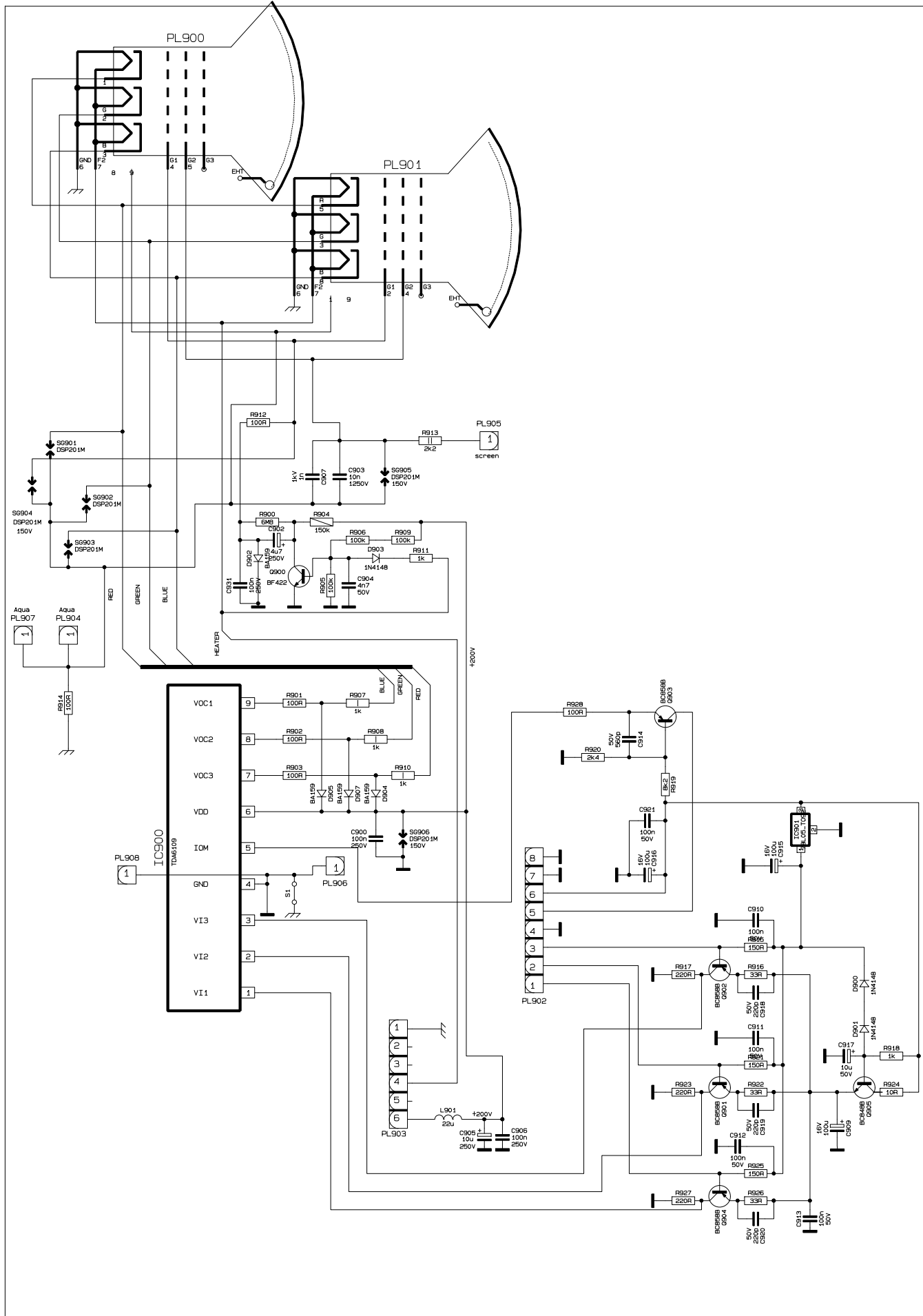
3

4

5

6

7



1

2

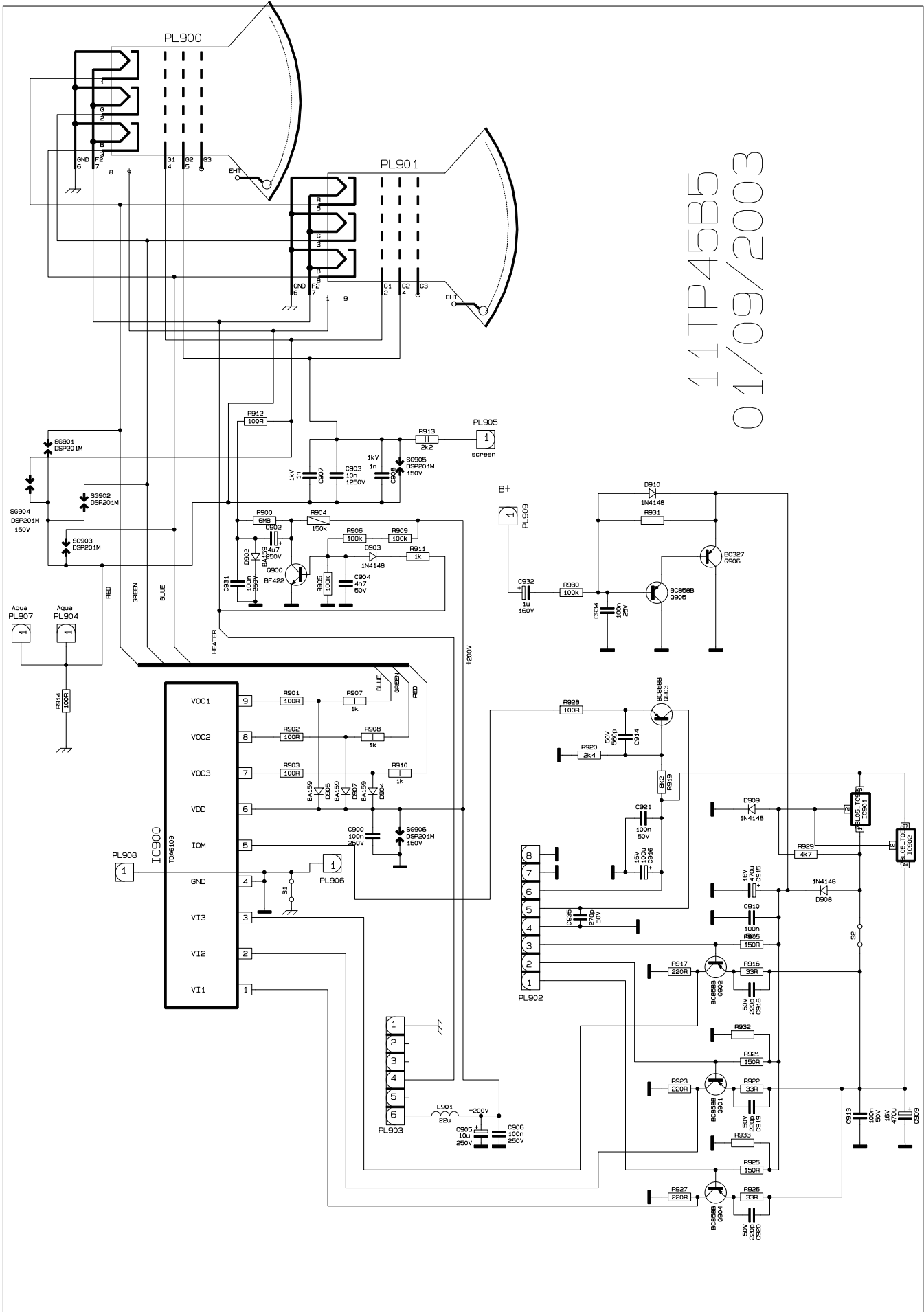
3

4

5

6

7



11TP45B5
 01/09/2003